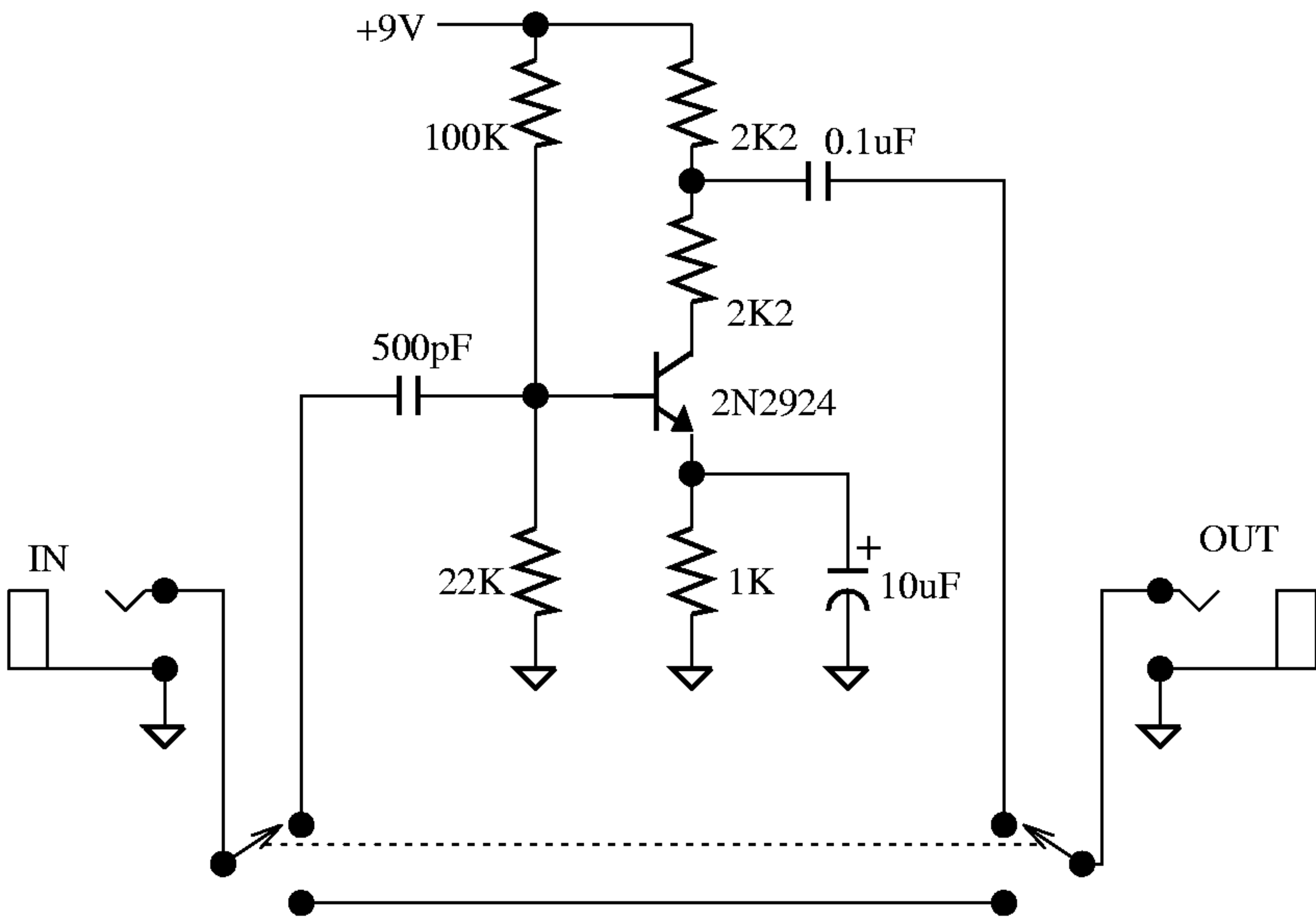
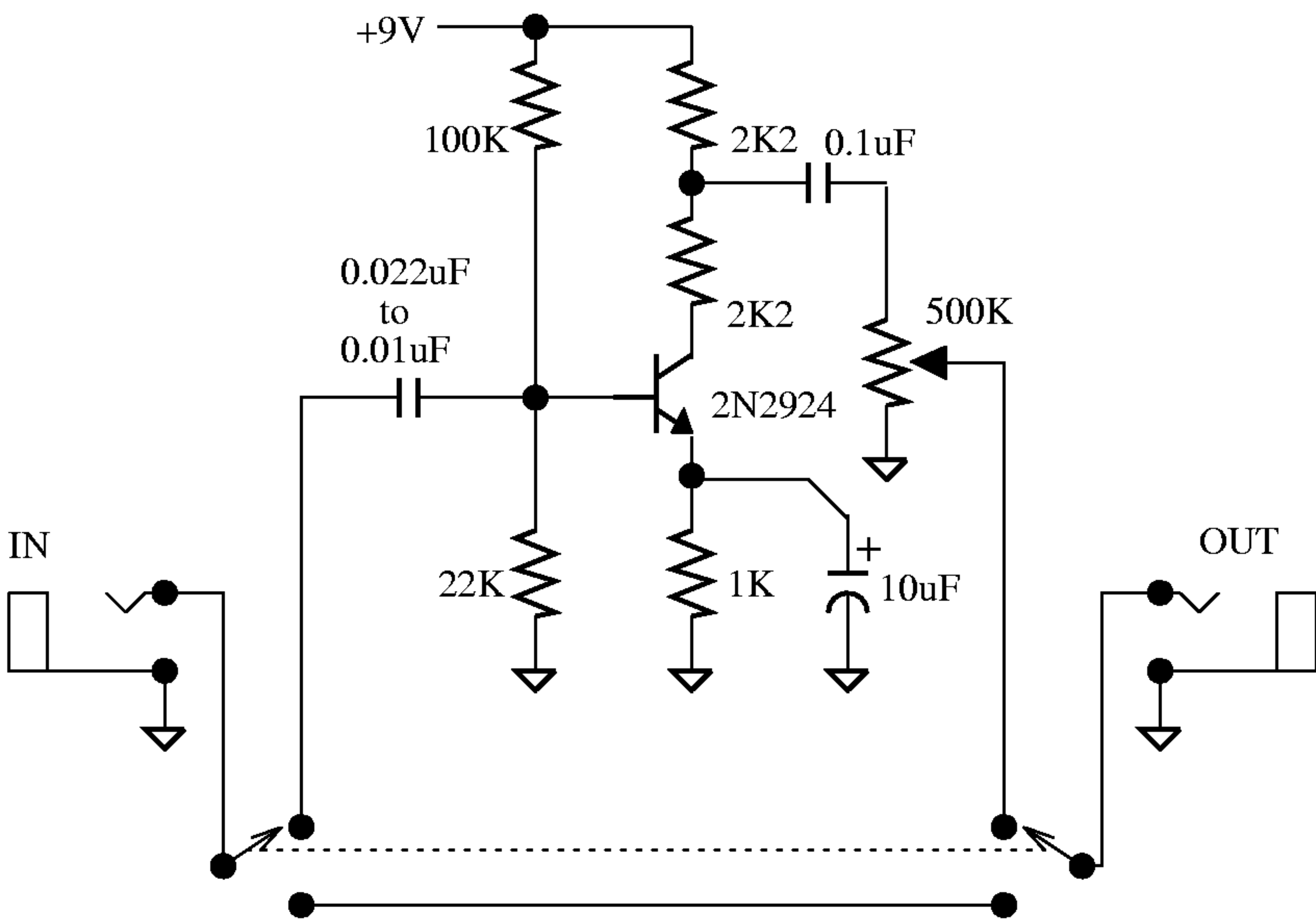


# VOX Treble Booster



Original Circuit



Modified to be used as an overdrive/distortion unit

The input cap is changed from 500pF to 0.01 uF (1000pF) or 0.022 uF (2200 pF) to allow more bass in. This usually overloads the booster and causes crunchy distortion.

Important note (03/03/08):

It has been brought to my attention that there must be a mistake in the values listed for the modified input cap. 0.01uf is equal to 10,000pF and not 1000pf, and 0.022uf is equal to 22,000pf and not 2200pf.

At this point I have no idea what the person who drew this up had in mind, but I do suspect that they meant the smaller values, since 1000pf and 2200pf are common capacitor values, while 10,000pf and 22,000pf are not. (For the larger values, you would usually find them labeled with microfarads and not picofarads.)

If anyone has tried this circuit and has any specific suggestions, please email them to me and I will add them to this text file.

Steve Ahola

steve@blueguitar.org