

Wiring Schematics for

STK-T1 Classic Tele Stack™ Pickup STK-T2 Hot Tele Stack™ Pickup

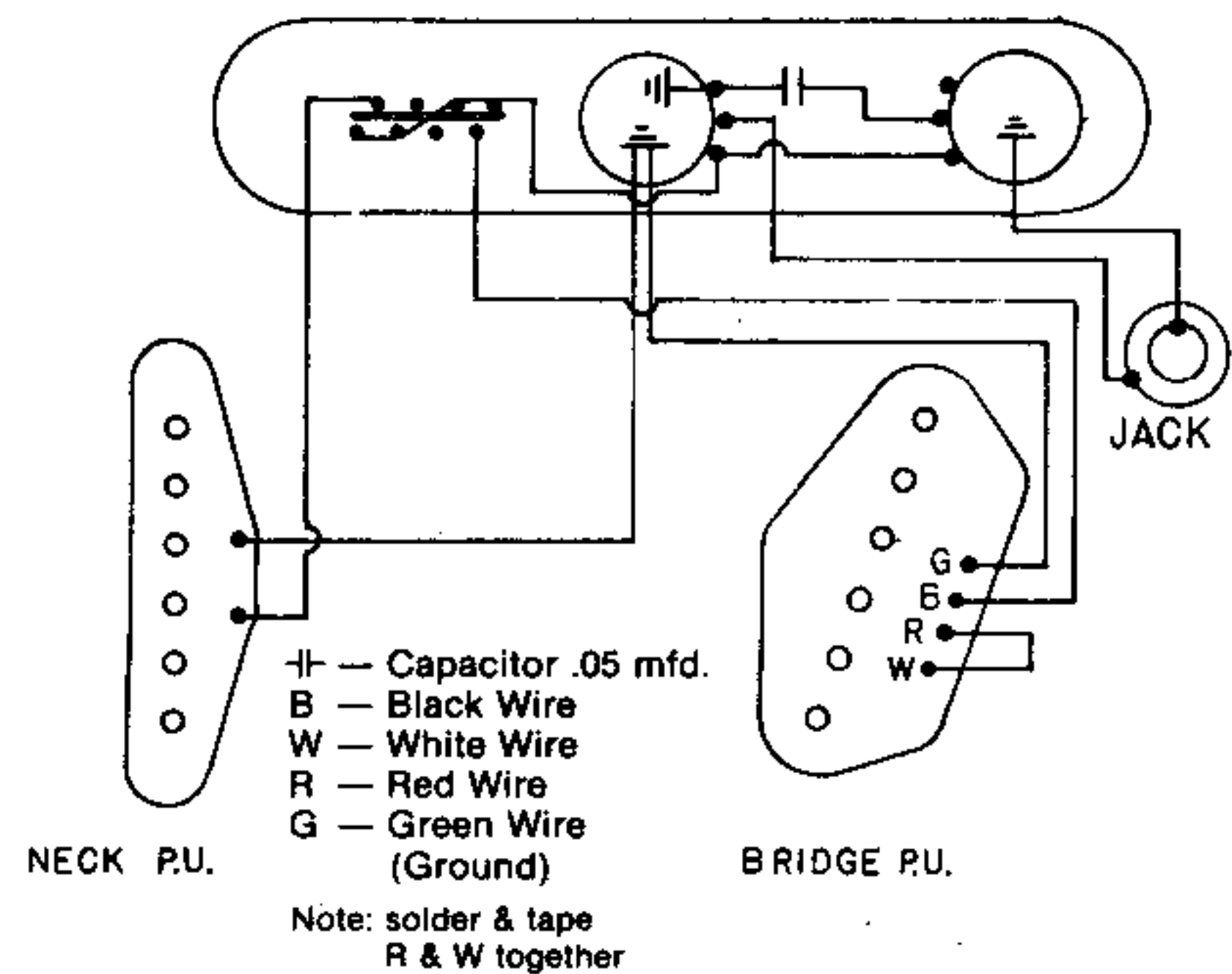
For Telecaster® Guitar

**Seymour
Duncan**

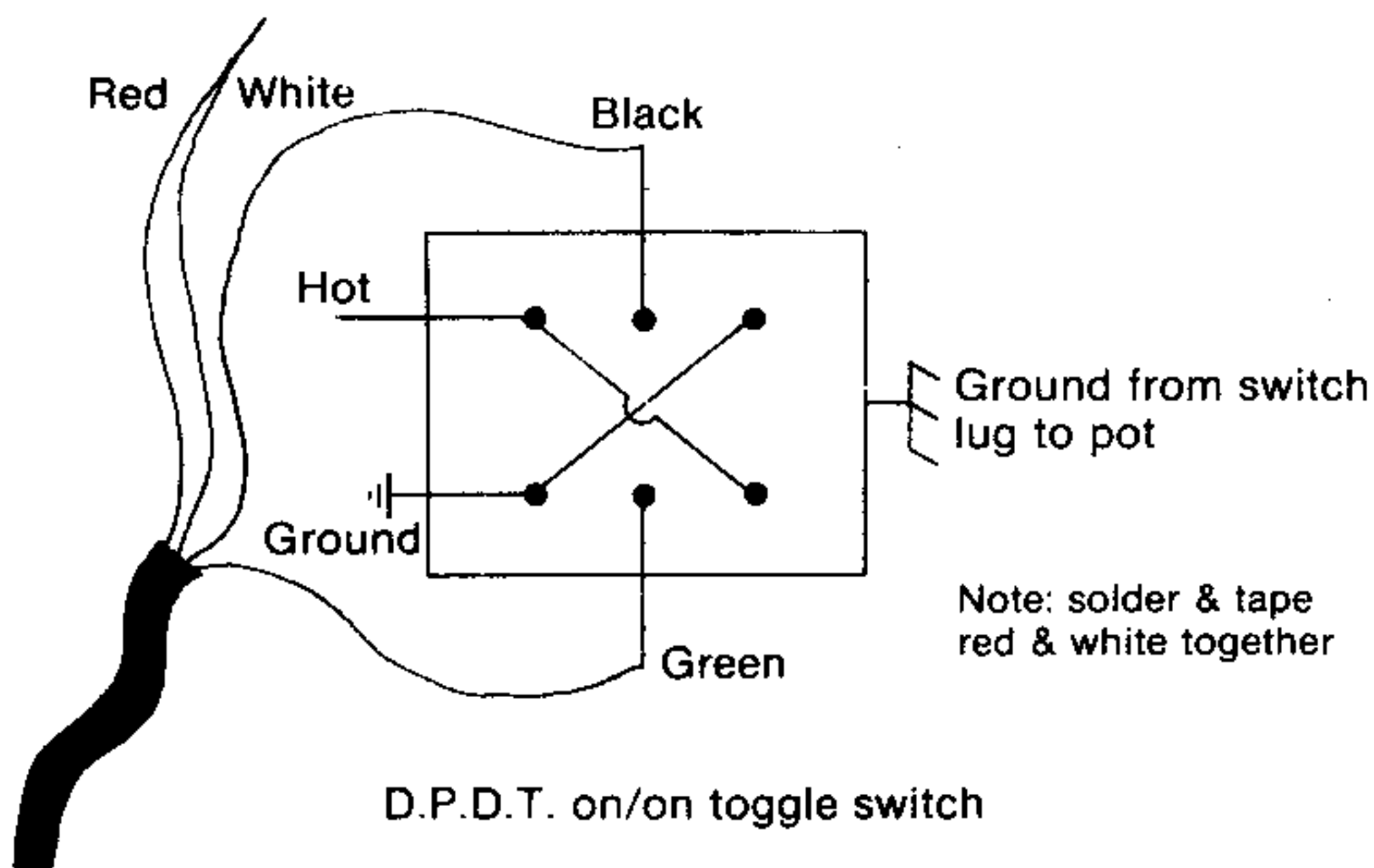
5427 Hollister Ave.
Santa Barbara, CA 93111-2345 USA
(805) 964-9610, FAX (805) 964-9749

*Telecaster is a registered Trademark of CBS, Inc. Seymour Duncan is in no way affiliated with CBS, Inc.

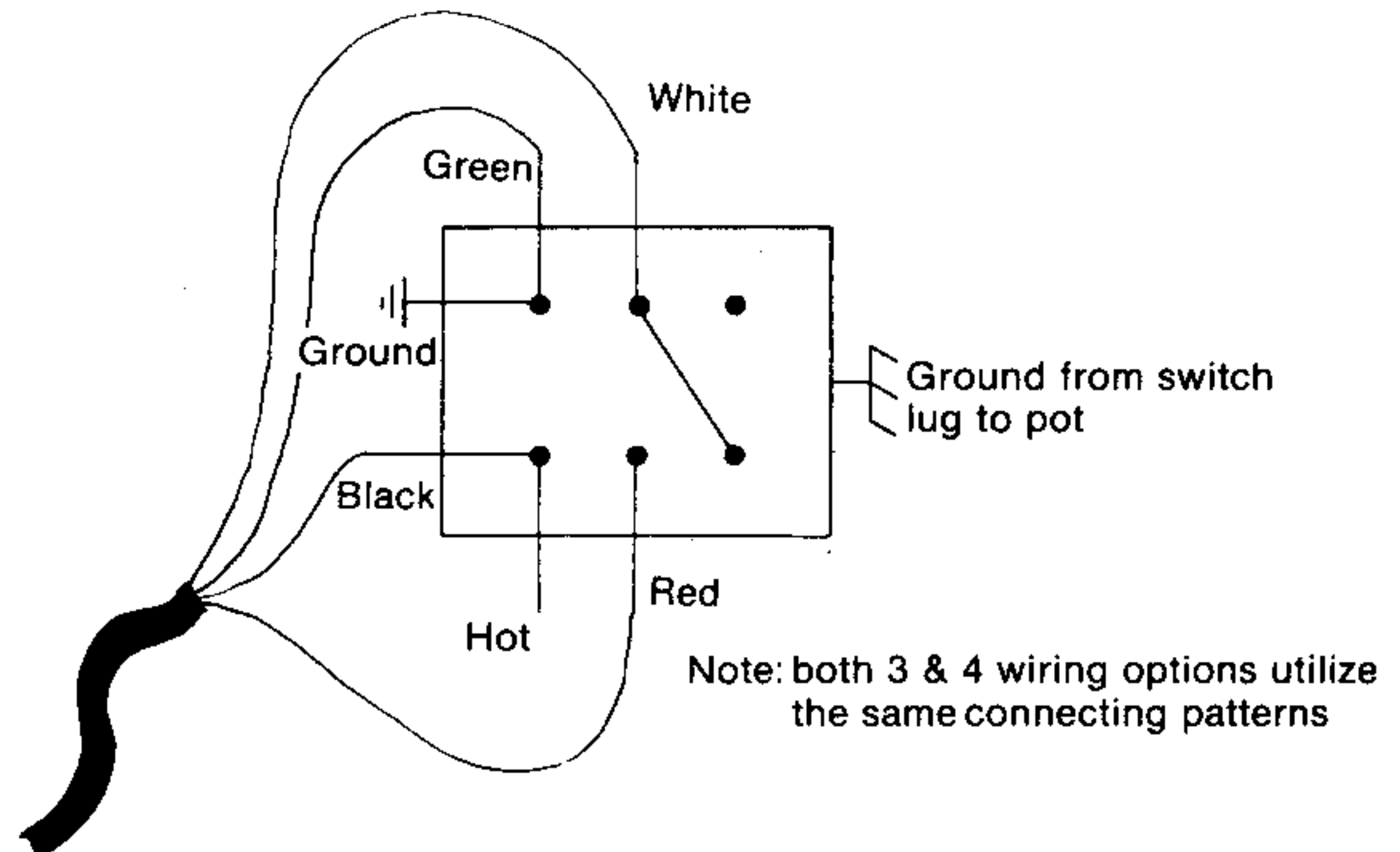
1. Standard noise cancelling operation
SWITCH VOLUME TONE



2. Phasing — when used with another pickup



3. Series/Parallel — use a DPDT on/on switch
4. Series/Split/Parallel — use a DPDT on/on/on switch



POWER BOOST WIRING

Note: Hum-cancelling will be lost in high output mode. If no switch is desired, solder and tape the red and white wires together, the green is then grounded and the black becomes hot output.

NOTE: When installing either STK-T1 or STK-T2, it is necessary to ground the bridge plate to the control plate. Using the enclosed lead wire, insert the end of the wire down into the lead pickup cavity and through the channel to the control cavity. Solder this end of the wire to the ground that is on the back of the potentiometer. Insert the stripped end of the wire between the bridge plate and the body. Screw the bridge plate down securely. To avoid drilling holes for an additional switch, replace the three position toggle switch for a five position one and rewire as indicated in the schematic.

Note: If you have an output loss when using 2 pickups together, then the pickups are "out of phase" with each other. Reverse the "black" and "green" wires on 1 of the pickups.

