

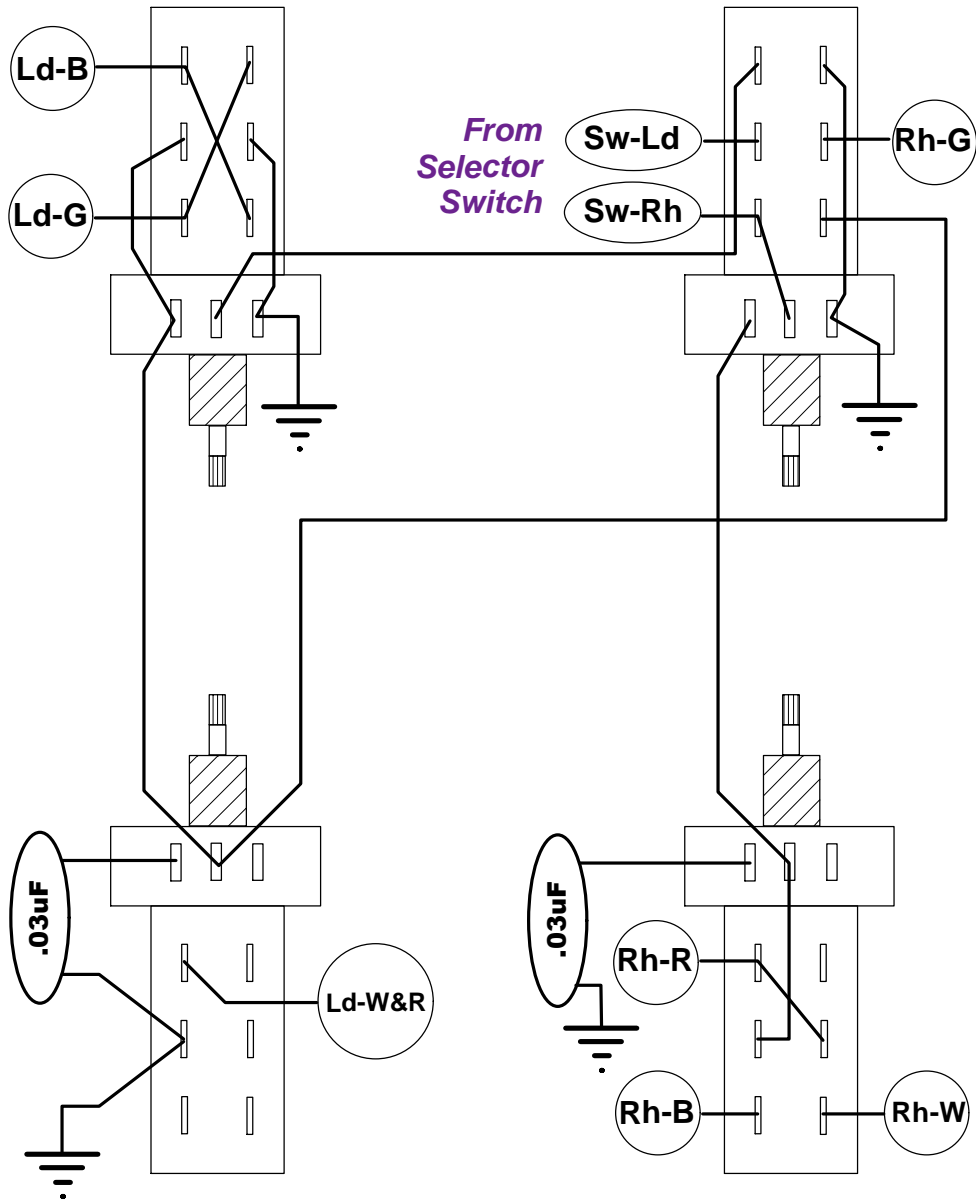
Schector Superrock Harness

(updated for modern p-p pots)

With Hum-Cancelling S.C. Linkages

Lead Volume
(Pull for Out-of-Phase)

Rhythm Volume
(Pull for Series link)



Lead Tone
(Pull for Coil Cut)

Rhythm Tone
(Pull for Coil Cut)

Pickup wiring shown with
Seymour Duncan color codes

- B = Black [Hot]
- W = White
- R = Red
- G = Green [Gnd]

Drawn by Steve Ahola
December 1998
(revised 06/05/99)