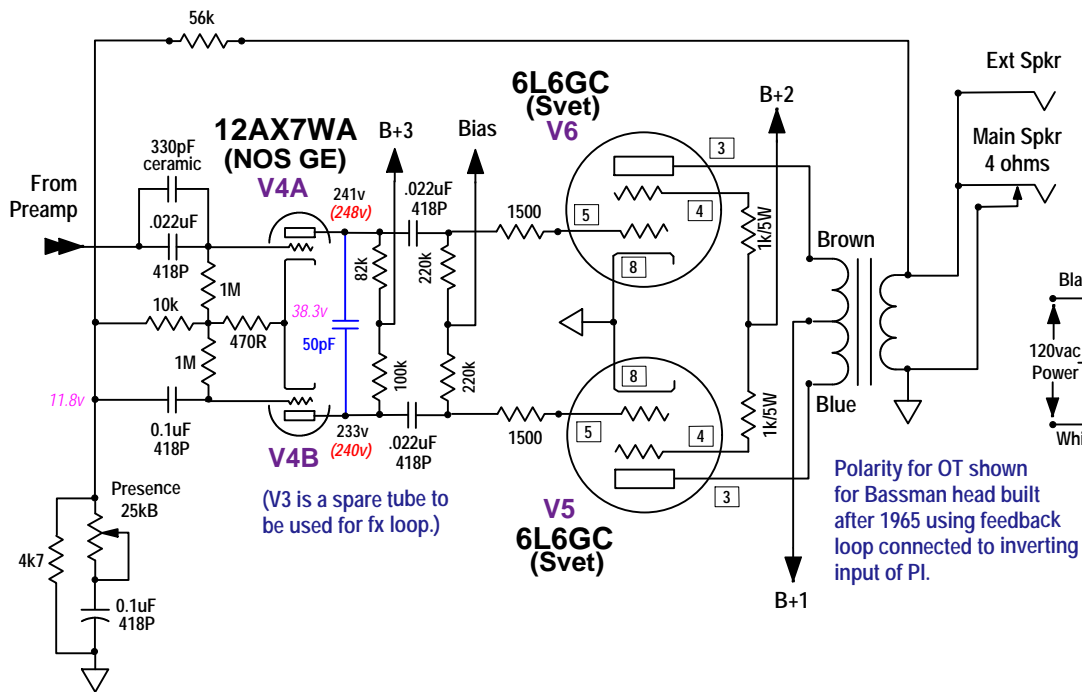
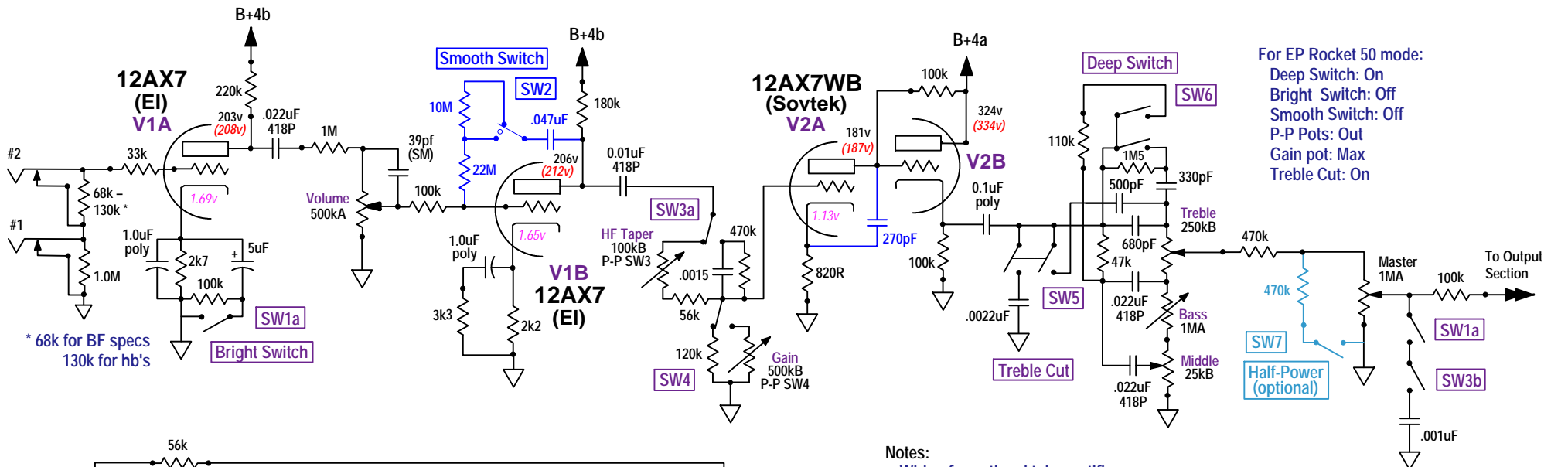
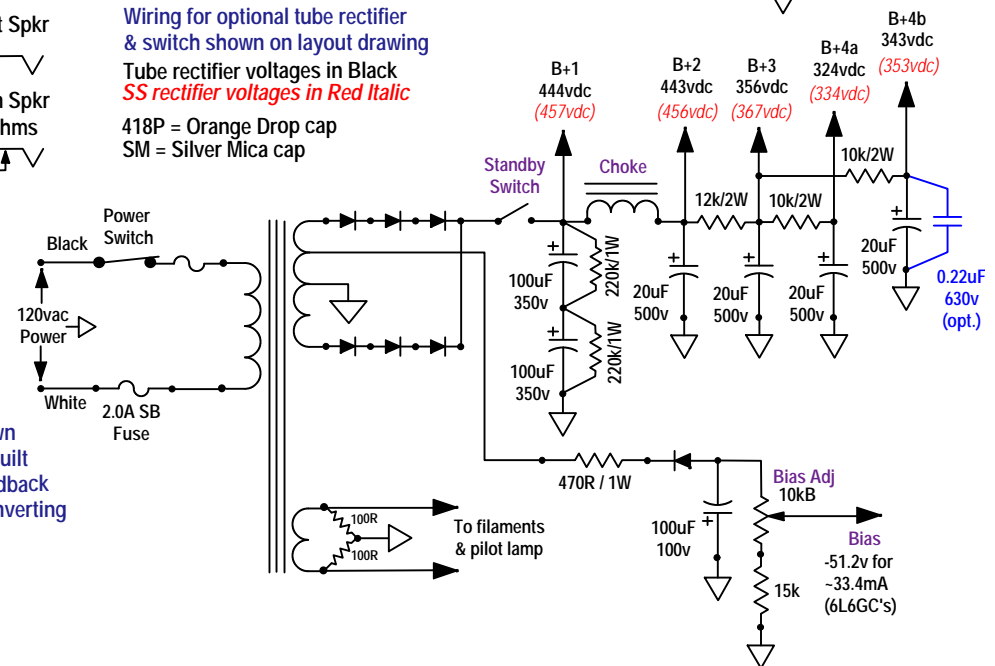


Hot Rod Tweed "Plus" Conversion for SF Bassman Head



Notes:

- Wiring for optional tube rectifier & switch shown on layout drawing
- Tube rectifier voltages in Black
- SS rectifier voltages in Red *Italic*
- 418P = Orange Drop cap
- SM = Silver Mica cap



with EP Rocket 50 mode

Designed by Steve Ahola
Rev.05-27-00