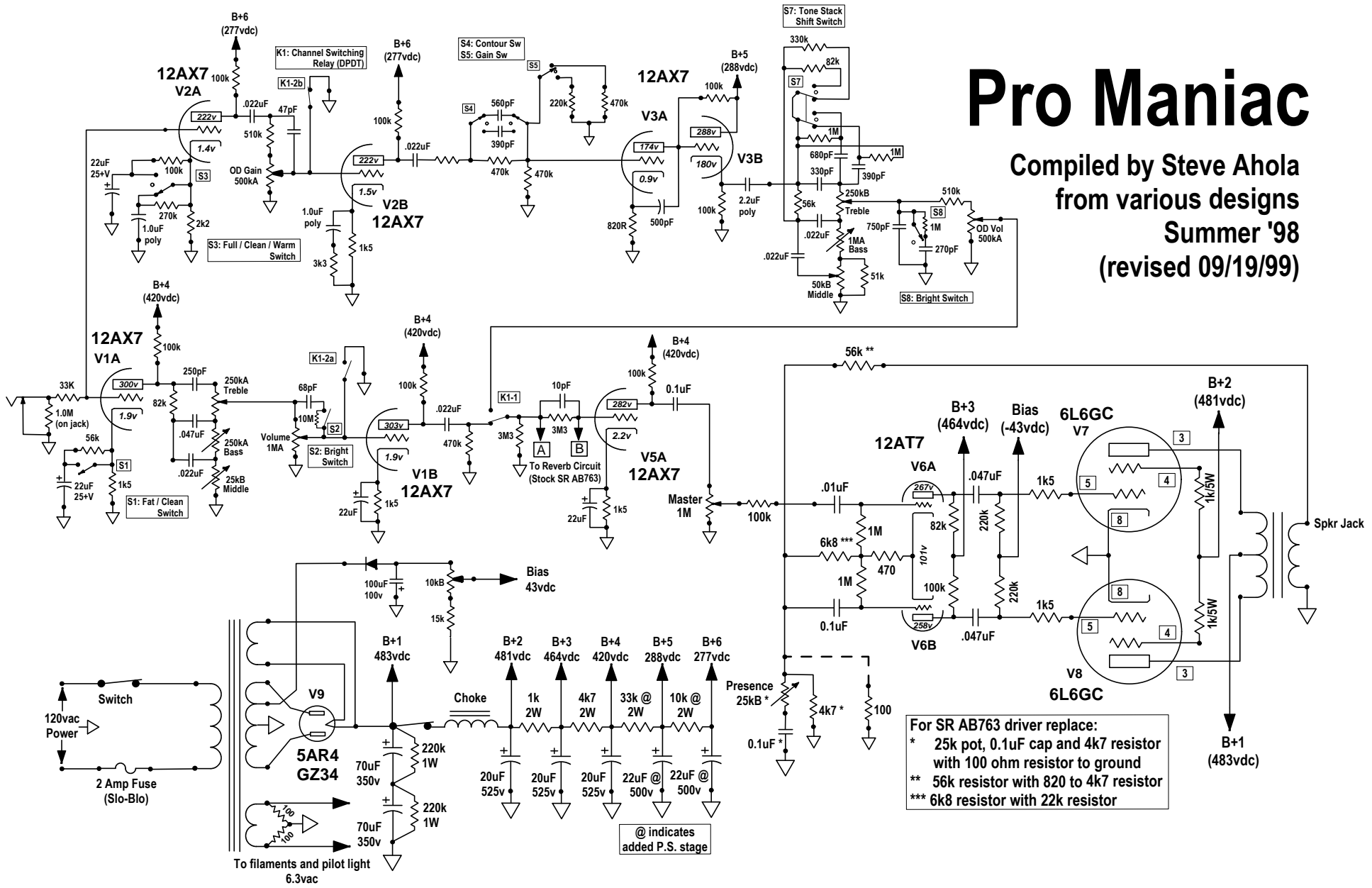


Pro Maniac

Compiled by Steve Ahola
from various designs
Summer '98
(revised 09/19/99)



For SR AB763 driver replace:
* 25k pot, 0.1uF cap and 4k7 resistor with 100 ohm resistor to ground
** 56k resistor with 820 to 4k7 resistor
*** 6k8 resistor with 22k resistor

@ Indicates added P.S. stage