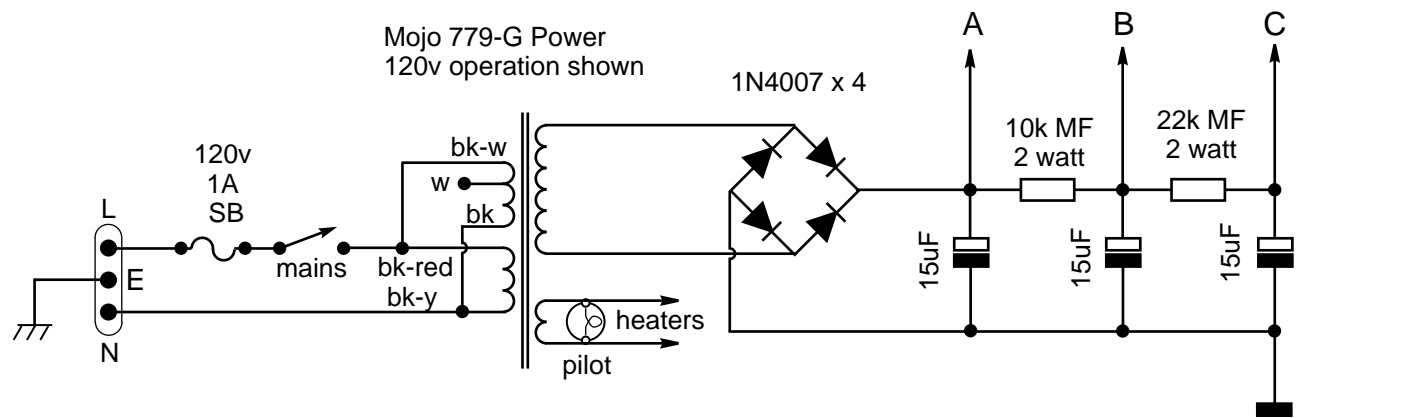
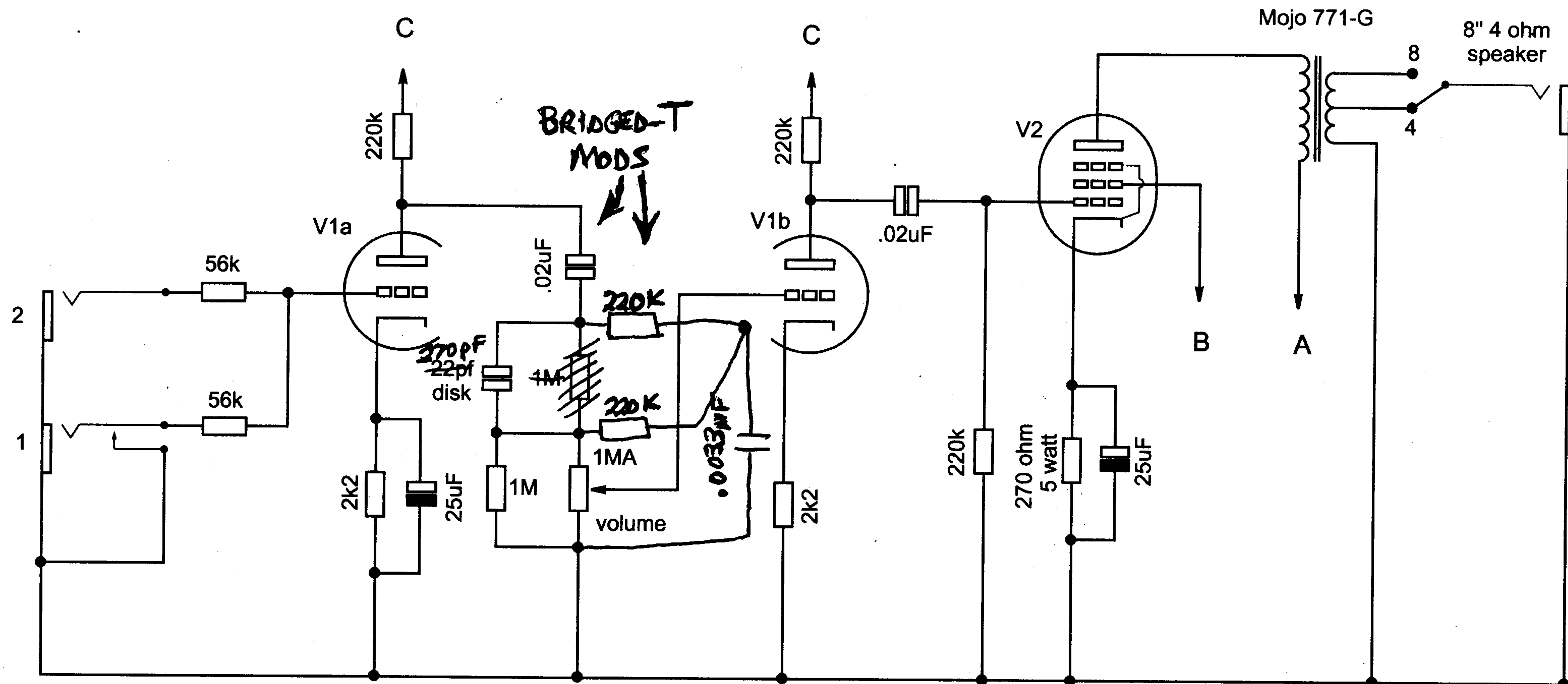


Gibson GA-5  
Reissue model  
schematic  
2004



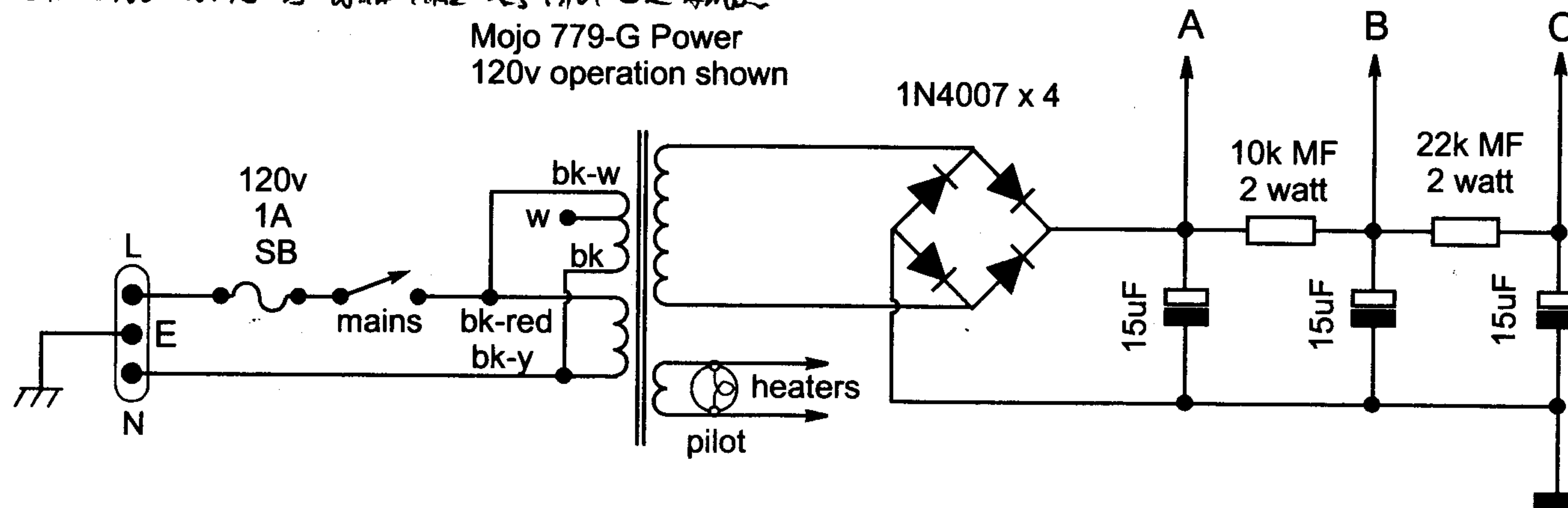


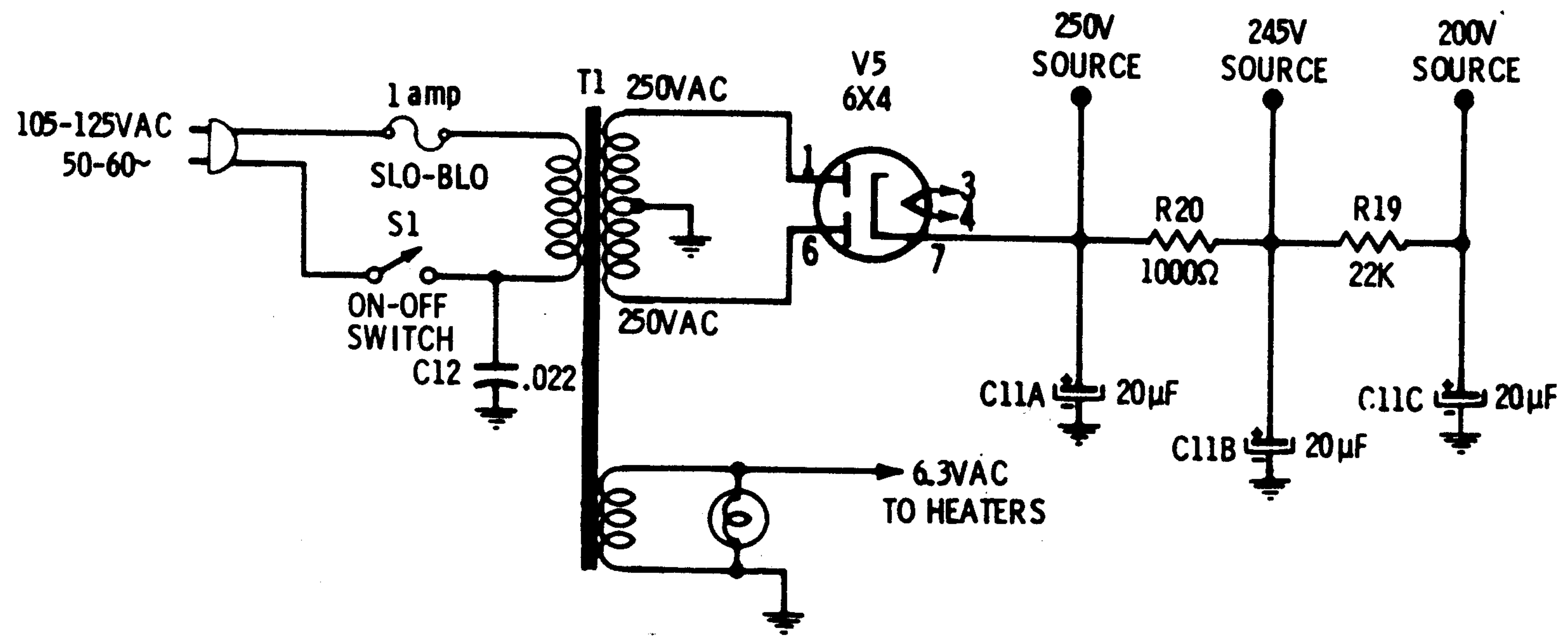
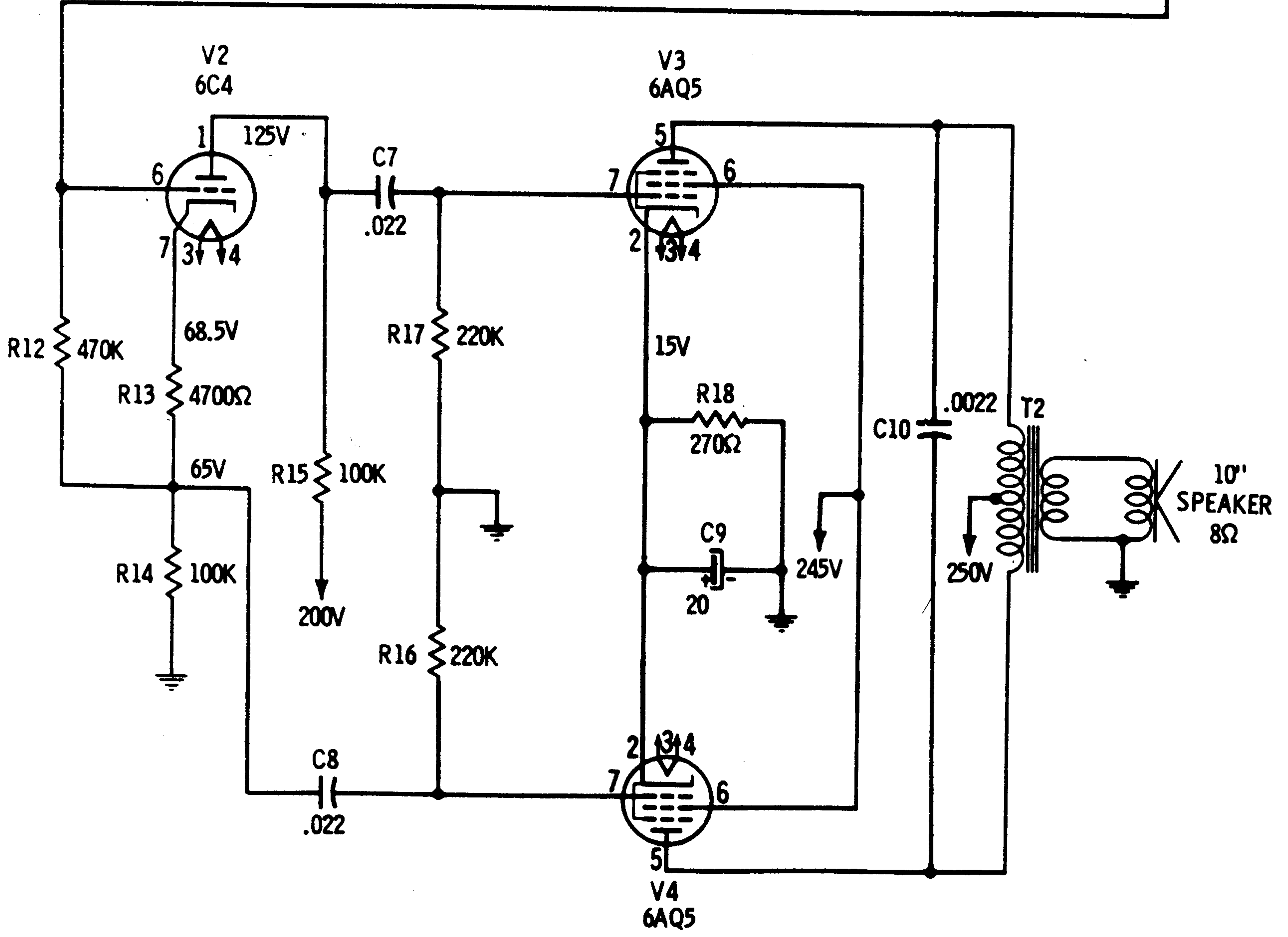
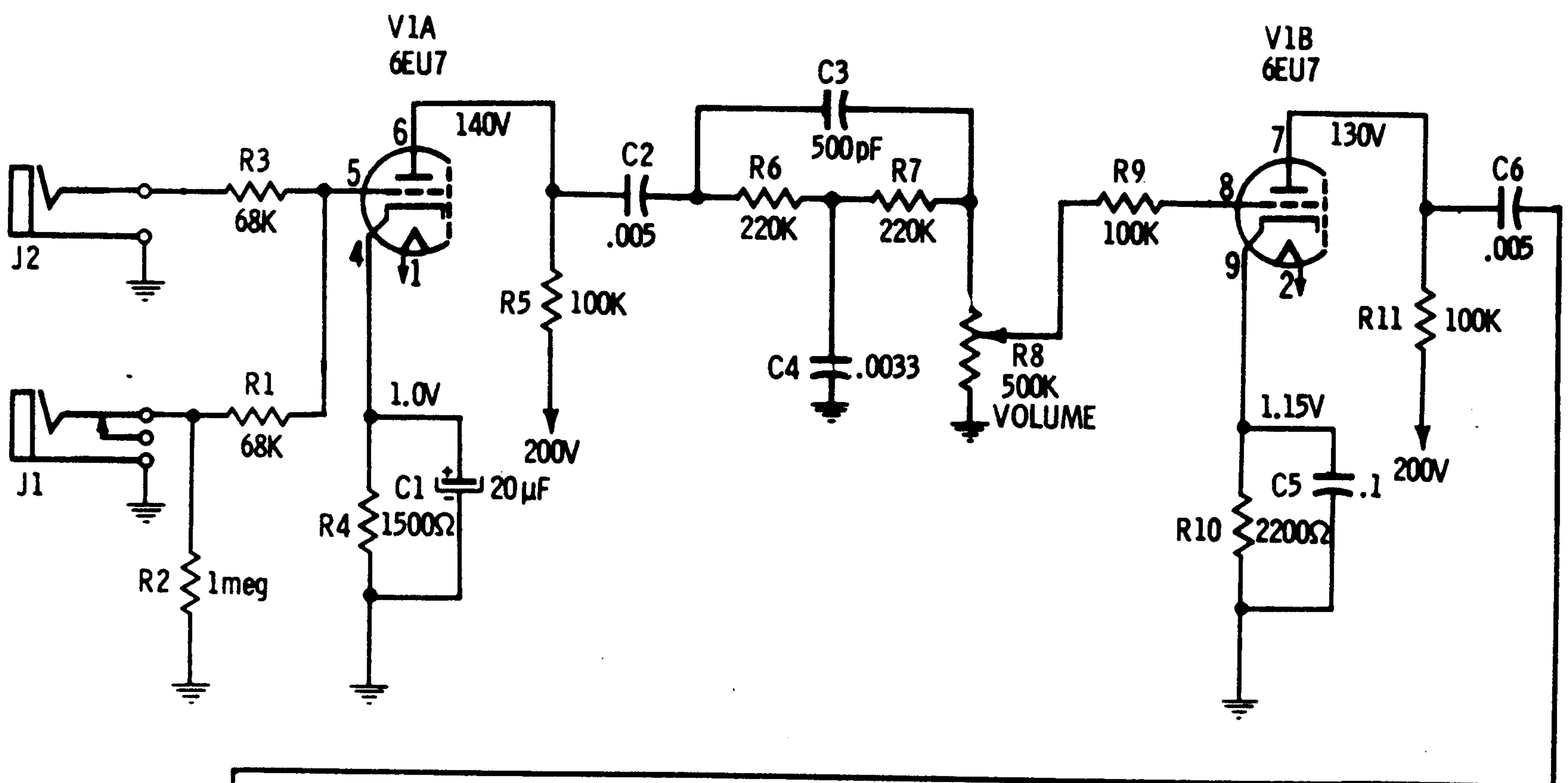
NOTED: THE LATER VERSIONS OF THE EPIPHONE EA-50 USED A BRIDGED-T CIRCUIT LIKE THIS, BUT WITH A 500pF CAP INSTEAD OF THE 270pF CAP SHOWN HERE. THERE IS ALSO A 100K SERIES RESISTOR BETWEEN THE WIPER OF THE VOLUME CONTROL AND THE GRID OF THE 2ND STAGE NOT NECESSARY WITH THE LES PAUL JR AMP.

**Gibson GA-5**  
**Reissue model**  
**schematic**  
**2004**

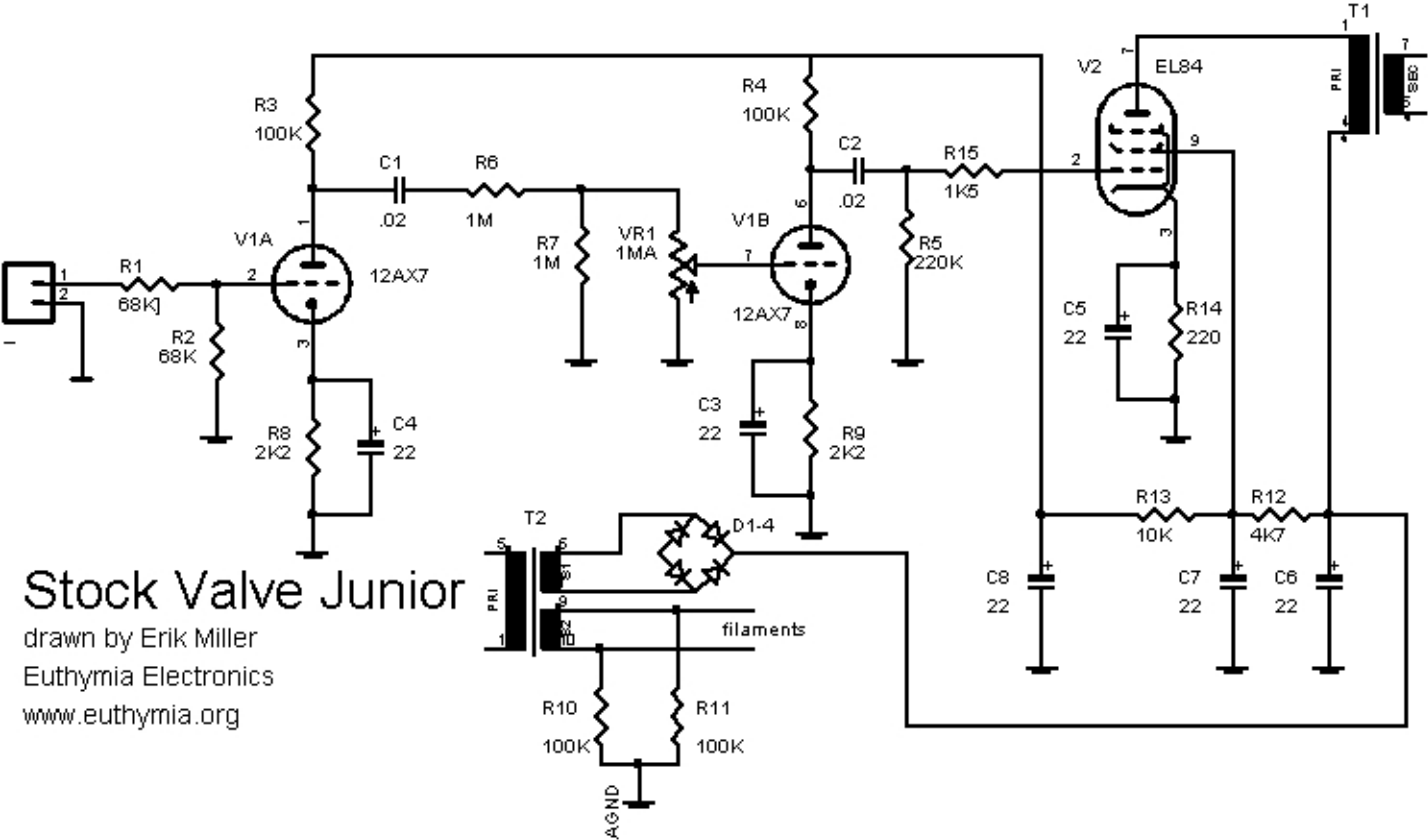
WITH BRIDGED-T  
 MODS DRAWN IN  
 BY STEVE AHOLA 3/20/06

Mojo 779-G Power  
 120v operation shown





**Ediphone Model EA-50**



# Stock Valve Junior

drawn by Erik Miller  
 Euthymia Electronics  
[www.euthymia.org](http://www.euthymia.org)