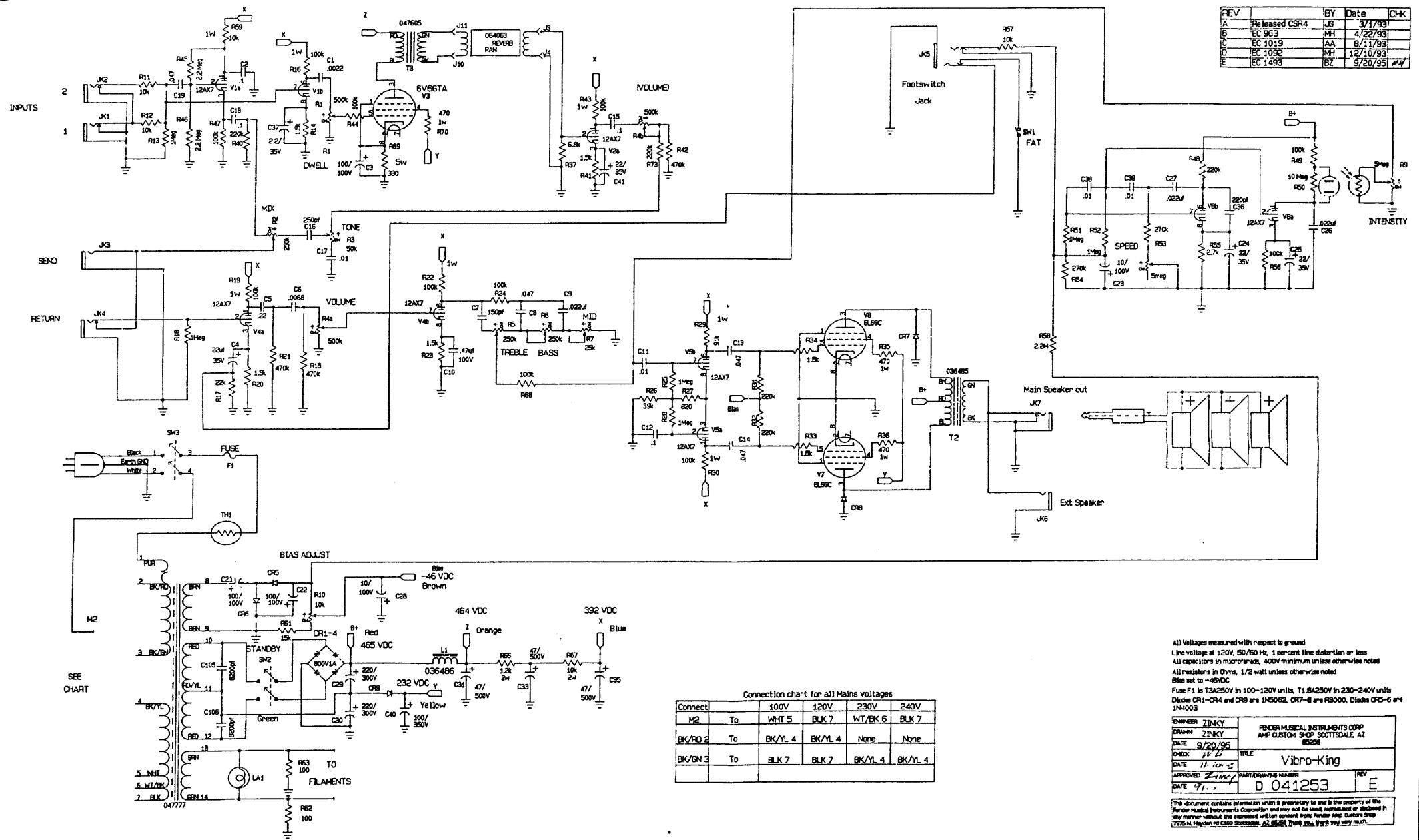


- NOTES:
- 1.1 RESISTORS ARE 1/2W FILM UNLESS OTHERWISE SPECIFIED.
  - 2.1 FUSE F1 4A SLO-BLO 1W 100/120V MODEL, 2AT IN 230V/240V MODELS.
  - 3.1 ALL VOLTAGES MEASURED WITH RESPECT TO GROUND USING A DVN OF AT LEAST 1MΩ AC INPUT IMPEDANCE AND 10MΩ DC IMPEDANCE.
    - LINE VOLTAGE AT 120VAC 60Hz.
    - ALL CHANNEL CONTROLS AT FULL CCW.
    - DC VOLTAGES MEASURED WITH NO SIGNAL PRESENT.
    - BIAS SET TO -85 VDC.

PROPRIETARY THIS DRAWING DOCUMENT CONTAINS INFORMATION WHICH IS CONFIDENTIAL AND MAY NOT BE USED, REPRODUCED OR DISCLOSED IN ANY MANNER WITHOUT THE EXPRESS WRITTEN CONSENT FROM: FENDER MUSICAL INSTRUMENTS 1129 COLUMBIA ST. BREA, CALIFORNIA 92621 CREATED BY: SCOTT LAMPSON CONTROL NO. 1	DESIGNER DRUCE ZINKY	FENDER MUSICAL INSTRUMENTS CORP BREA, CALIFORNIA 92621 TITLE SCHEMATIC VIBRO-KING SCALE: SIZE PART/DRAWING NUMBER REV. NONE D 041253 A
	DRAWN JAMES GIFFORD	
	DATE 2-3-93	
	CHECKED JH	
	DATE 3-2-93	

REV	BY	Date	CHK
A	Released CSR4	3/1/93	
B	EC 9E3	MH	4/22/93
C	EC 1019	AA	8/11/93
D	EC 1092	MH	12/10/93
E	EC 1493	BZ	9/20/95



SEE CHART

Connection chart for all Mains voltages

Connect	To	100V	120V	230V	240V
M2	To	WHT 5	BLK 7	WT/BLK 6	BLK 7
BLK/RO 2	To	BLK/YL 4	BLK/YL 4	None	None
BLK/GN 3	To	BLK 7	BLK 7	BLK/YL 4	BLK/YL 4

All Voltages measured with respect to ground.  
 Line voltage at 120V, 50/60 Hz, 1 percent line distortion or less.  
 All capacitors in microfarads, 400V minimum unless otherwise noted.  
 All resistors in Ohms, 1/2 watt unless otherwise noted.  
 Bias set to -45VDC  
 Fuse F1 is T3A250V in 100-120V units, T1.6A250V in 230-240V units  
 Diodes CR1-CR4 and CR9 are 1N5062, CR7-8 are R3000, Diodes CR5-6 are 1N4003

DESIGNED ZINKY	FOUNDER MUSICAL INSTRUMENTS CORP
DRAWN ZINKY	AMP CUSTOM SHOP SCOTTSDALE, AZ
DATE 9/20/95	80208
CHECKED [Signature]	TITLE Vibro-King
DATE 11/10/95	PART/DRAWING NUMBER D 041253
APPROVED [Signature]	REV E

This document contains information which is proprietary to and is the property of the Founder Musical Instruments Corporation and may not be used, reproduced or disclosed in any manner without the expressed written consent from Founder Amp Distributors Shop 13750 N. Hayden Rd. Glendale, AZ 85301. Thank you, thank you very much.

