

ISS	ECO NUMBER	DATE

ALL OTHER HOLES =		X = (THROUGH PLATED)	
A	E	J	N
B	F	K	P
C	G	L	Q
D	H	M	R

MATERIAL	
MATERIAL THICKNESS	
DRAWN SKB	DATE 18/03/91
CHECKED	DATE
APPROVED	DATE

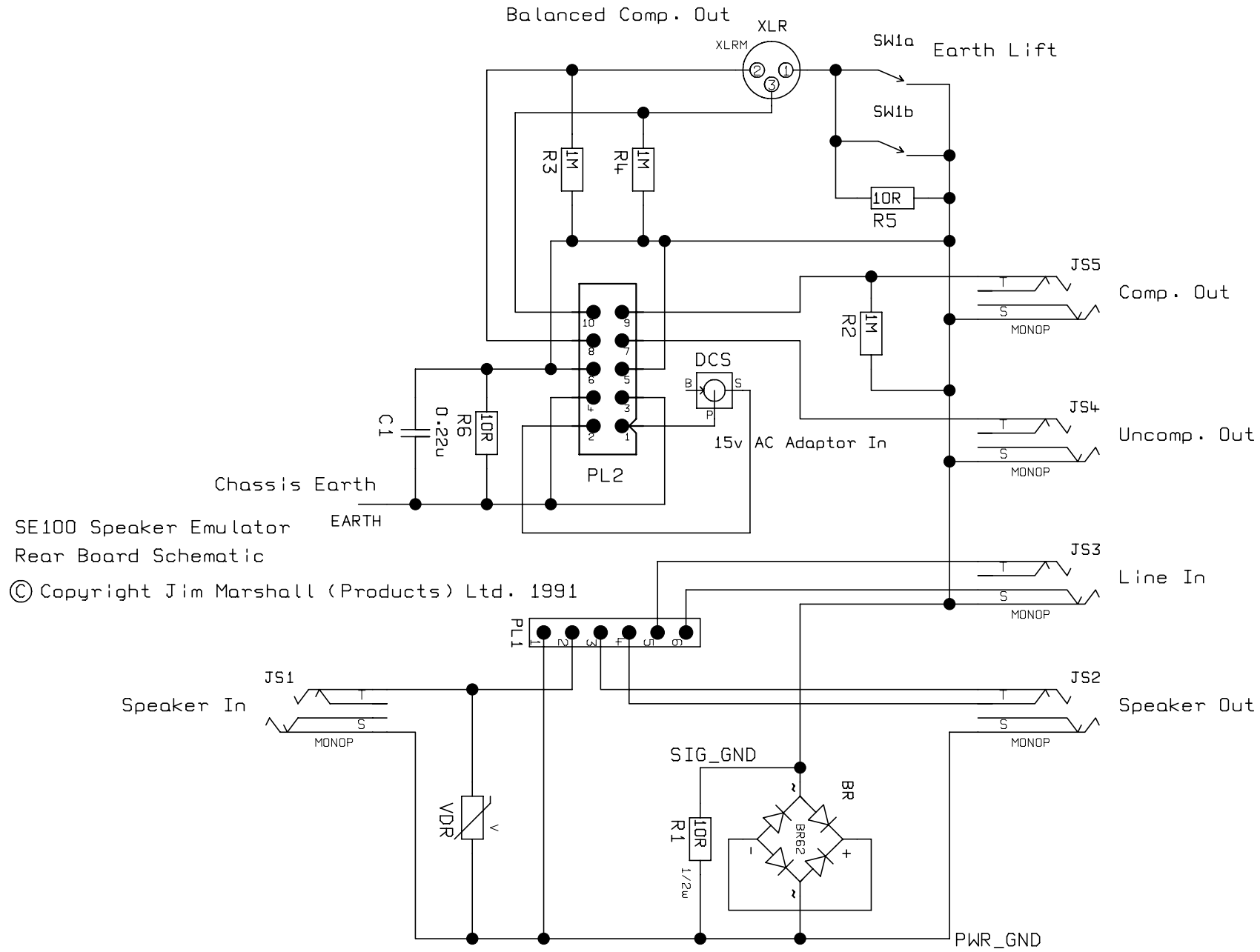
DIMENSIONS IN	
TOLERANCE (UNLESS OTHERWISE STATED)	
MODEL	SE 100

Marshall

MARSHALL AMPLIFICATION PLC
DENBIGH ROAD, BLETCHLEY, MILTON KEYNES, MK1 1DQ.
TEL (01908) 375411 FAX (01908) 376118

TITLE	FRONT PCB	
DWG.No	PC0789.DGM	ISS 1

DWG.No. PC0790.DGM



SE100 Speaker Emulator
Rear Board Schematic
© Copyright Jim Marshall (Products) Ltd. 1991

A		B		C		D		E		F		G		H	
1		2		3		4		5		6		1		2	
3		4		5		6		1		2		3		4	
4		5		6		1		2		3		4		5	
5		6		1		2		3		4		5		6	
6		1		2		3		4		5		6		1	

ALL OTHER HOLES =		X = (THROUGH PLATED)		MATERIAL		DIMENSIONS IN		TITLE	
A	E	J	N	MATERIAL THICKNESS		TOLERANCE (UNLESS OTHERWISE STATED)		BACK PCB	
B	F	K	P	DRAWN	SKB	DATE	18/03/91	ISS	
RELEASED	29/01/92	C	Q	CHECKED		DATE		PC0790.DGM	
ISS	ECO NUMBER	DATE	D	H	M	R	APPROVED	DATE	1



SE 100

ISS 1

