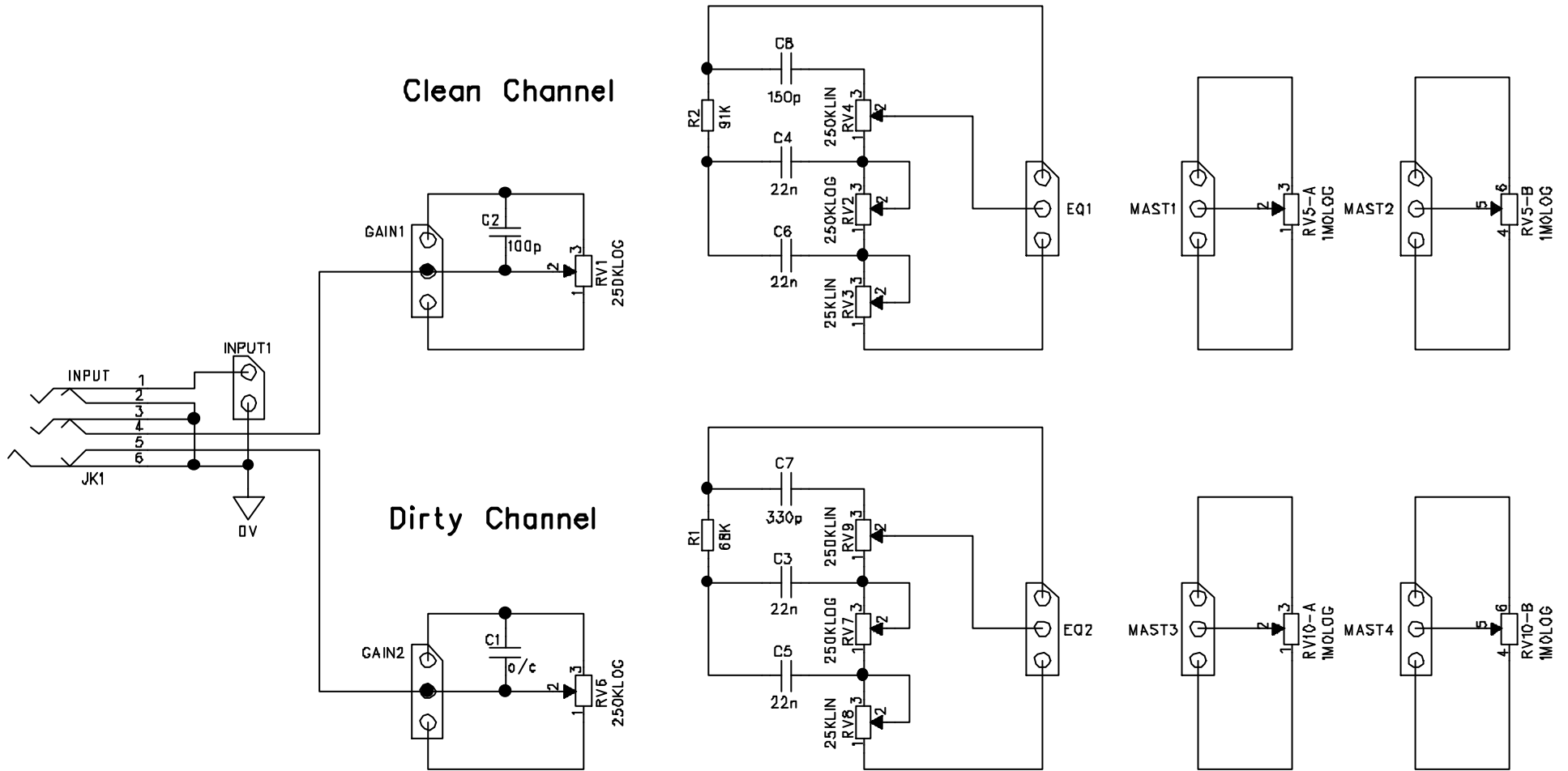


| | | |
|------------------------------|------------------------------|------------------------------|
| ISSUE CHANGE NOTE DATE | ISSUE CHANGE NOTE DATE | ISSUE CHANGE NOTE DATE |
| ISSUE CHANGE NOTE DATE | ISSUE CHANGE NOTE DATE | ISSUE CHANGE NOTE DATE |

ORANGE AD30/AD140 Twin Channel FRONT PANEL



Circuit Design by Adrian Emsley

TITLE FRONT PANEL
 PROJECT ORANGE AD30/AD140 Twin Channel
 DRAWING No CDO0133
 ISSUE 1
 DATE 5 SEPTEMBER 2000
 DRAWN BY PAUL STEVENS

TRACE ELLIOT LTD
 BLACKWATER TRADING ESTATE
 MALDON ESSEX CM9 4GG
 GREAT BRITAIN
 TEL (01621) 851851
 FAX (01621) 851975



COMPONENTS USED ARE
 OF AN APPROVED TYPE AND
 MUST BE REPLACED ACCORDINGLY