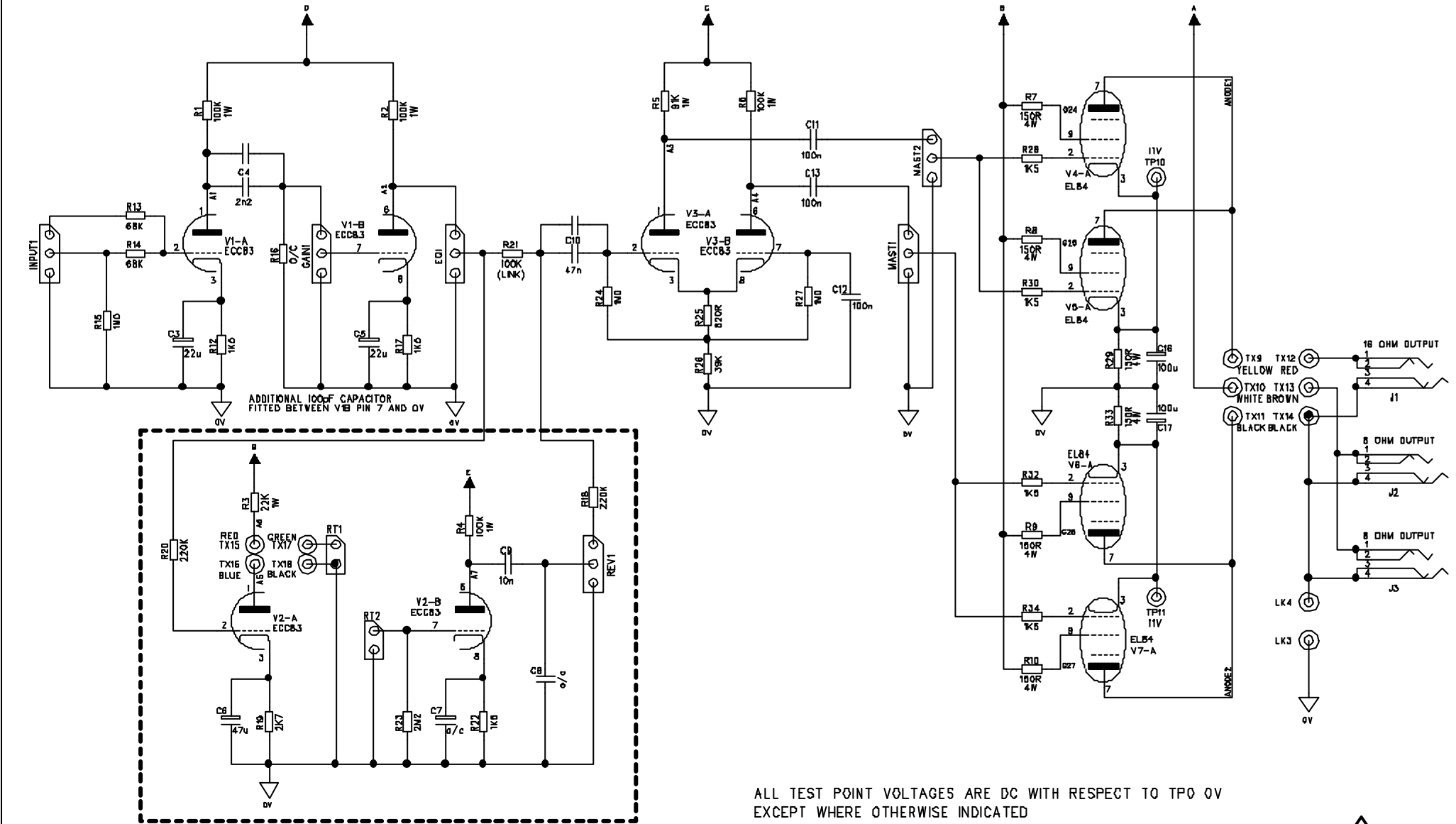


ORANGE AD30 - MAIN BOARD

ISSUE CHANGE NOTE DATE	ISSUE CHANGE NOTE DATE	ISSUE CHANGE NOTE DATE



ADDITIONAL 100µF CAPACITOR FITTED BETWEEN V1B PIN 7 AND 0V

REVERSE SECTION NOT FITTED ON HEAD
ALL PARTS o/c

ALL TEST POINT VOLTAGES ARE DC WITH RESPECT TO TP0 0V
EXCEPT WHERE OTHERWISE INDICATED
TOLERANCE +/- 10%
ALL VALUES IN BRACKETS ARE FOR AD30 HEAD VERSION

SHEET 1/2

Circuit Design by Adrian Emley

FOR USE WITH PC00115

TITLE	MAIN BOARD	TRACE ELLIOT LTD
PROJECT	ORANGE AD30	BLACKWATER TRADING ESTATE
DRAWING No	C000115	WALDON ESSEX CM9 4GG
ISSUE	5	GREAT BRITAIN
DATE	6 SEPTEMBER 2000	TEL (01821) 851851
DRAWN BY	PAUL STEVENS	FAX (01821) 851975

