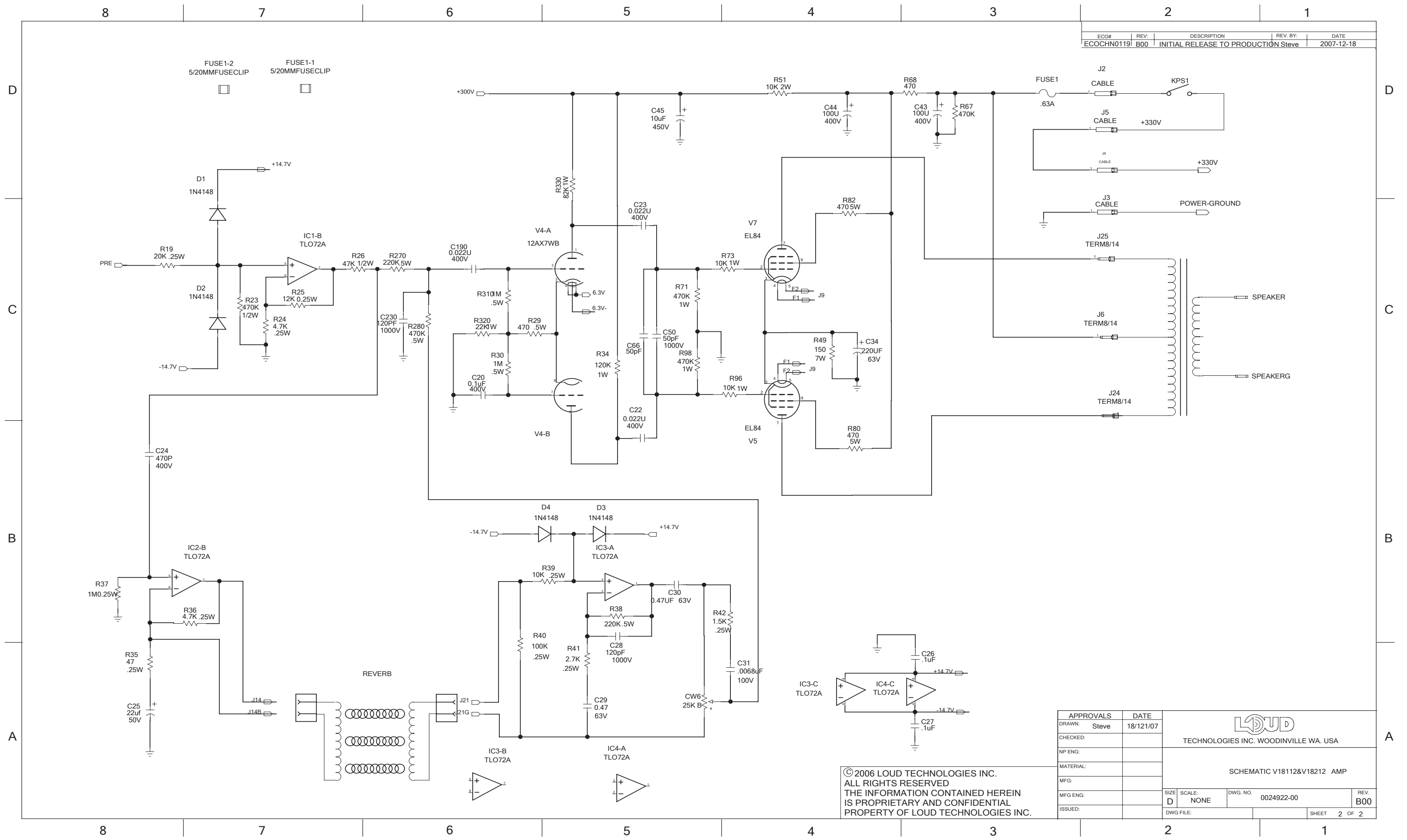


PCB
0025679-00 [FCB] FAB FR4 DOUBLE 1OZ 260x128 MM 1.6MM V 18-112 PRE AMP BOARD

© 2006 LOUD TECHNOLOGIES INC.
ALL RIGHTS RESERVED
THE INFORMATION CONTAINED HEREIN
IS PROPRIETARY AND CONFIDENTIAL
PROPERTY OF LOUD TECHNOLOGIES INC.

APPROVALS	DATE	 TECHNOLOGIES INC. WOODINVILLE WA. USA SCHEMATIC V18112&V18212 AMP			
DRAWN: Steve	18/12/07				
CHECKED:					
NP ENG:					
MATERIAL:					
MFG:		SIZE: D	SCALE: NONE	DWG. NO. 0024922-00	REV. B00
MFG ENG:		DWG FILE:		SHEET 1 OF 2	
ISSUED:					

ECO#	REV.	DESCRIPTION	REV. BY:	DATE
ECOCHN0119	B00	INITIAL RELEASE TO PRODUCTION	Steve	2007-12-18



© 2006 LOUD TECHNOLOGIES INC.
 ALL RIGHTS RESERVED
 THE INFORMATION CONTAINED HEREIN
 IS PROPRIETARY AND CONFIDENTIAL
 PROPERTY OF LOUD TECHNOLOGIES INC.

APPROVALS	DATE
DRAWN: Steve	18/12/07
CHECKED:	
NP ENG:	
MATERIAL:	
MFG:	
MFG ENG:	
ISSUED:	

 TECHNOLOGIES INC. WOODINVILLE WA. USA	
SCHEMATIC V18112&V18212 AMP	
SIZE: D	SCALE: NONE
DWG. NO. 0024922-00	REV. B00
DWG FILE:	SHEET 2 OF 2