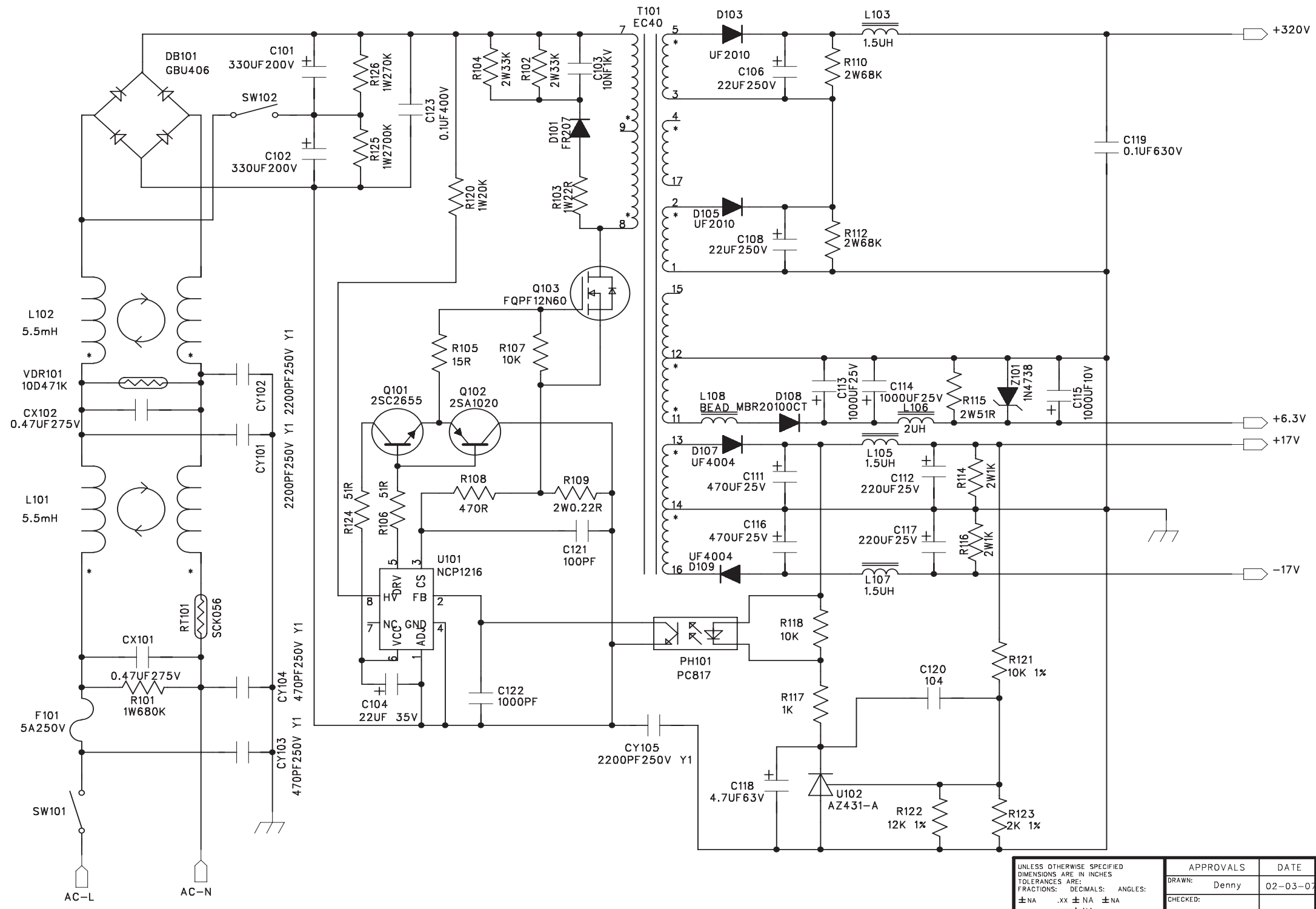


ECO/DSR	REV.	DESCRIPTION	REV.BY	DATE
ECOCHN0119	A00	INITIAL RELEASE TO PRODUCTION	STEVE ZHOU	2007-8-30



©2006 LOUD TECHNOLOGIES INC.
 ALL RIGHTS RESERVED
 THE INFORMATION CONTAINED HEREIN
 IS PROPRIETARY AND CONFIDENTIAL
 PROPERTY OF LOUD TECHNOLOGIES INC.

UNLESS OTHERWISE SPECIFIED DIMENSIONS ARE IN INCHES TOLERANCES ARE: FRACTIONS: DECIMALS: ANGLES: ± NA .xx ± NA ± NA .xxx ± NA		APPROVALS	DATE	 16220 WOOD-RED RD NE WOODINVILLE, WA 98072
MATERIAL:		DRAWN: Denny	02-03-07	
FINISH:		CHECKED:		V18 POWER SUPPLY
DO NOT SCALE DRAWING		NP ENGINEERING:		SIZE D SCALE: 1:1 DWG. NO. 0024924-00 REV. A00
		MANUFACTURING:		DWG FILE: SHEET 1 OF 1
		MFG ENGINEERING:		
		ISSUED:		