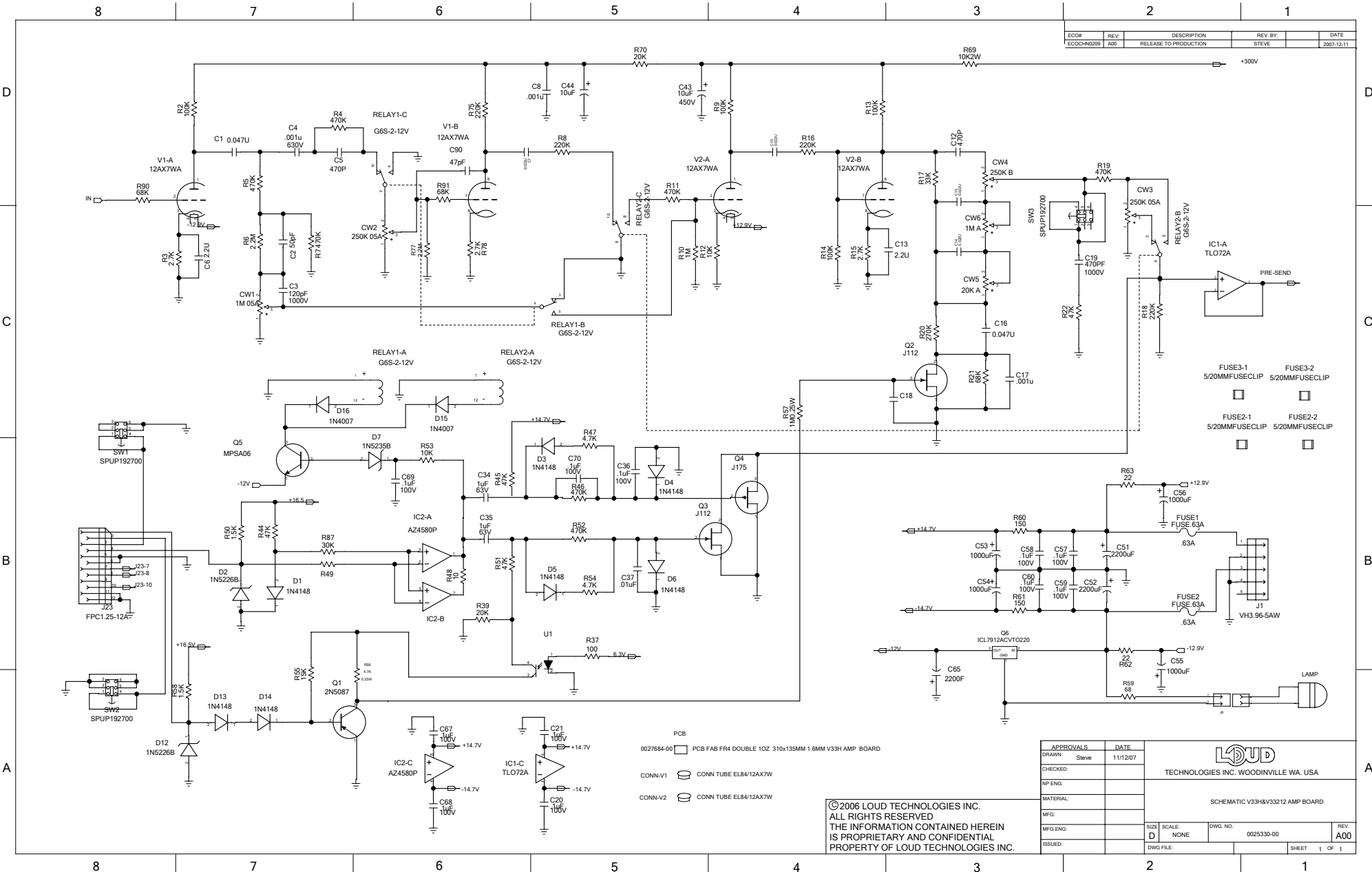


ECOM	REV.	DESCRIPTION	REV. BY	DATE
EC0CHN009	A00	RELEASE TO PRODUCTION	STEVE	2007.12.11



PCB
0027684-00 PCB FAB FR4 DOUBLE 10Z 310x135MM 1.6MM V33H AMP BOARD

CONN-V1 ○ CONN TUBE EL84/12AX7W
CONN-V2 ○ CONN TUBE EL84/12AX7W

© 2006 LOUD TECHNOLOGIES INC.
ALL RIGHTS RESERVED
THE INFORMATION CONTAINED HEREIN
IS PROPRIETARY AND CONFIDENTIAL
PROPERTY OF LOUD TECHNOLOGIES INC.

APPROVALS	DATE
DRAWN: Steve	11/12/07
CHECKED:	
MP ENG:	
MATERIAL:	
MFG:	
MFG ENG:	
ISSUED:	

LOUD
TECHNOLOGIES INC. WOODINVILLE WA, USA

SCHEMATIC V33H&V3212 AMP BOARD			
SIZE	SCALE	DWG. NO.	REV.
D	NONE	0025330-00	A00
DWG. FILE:			SHEET 1 OF 1

