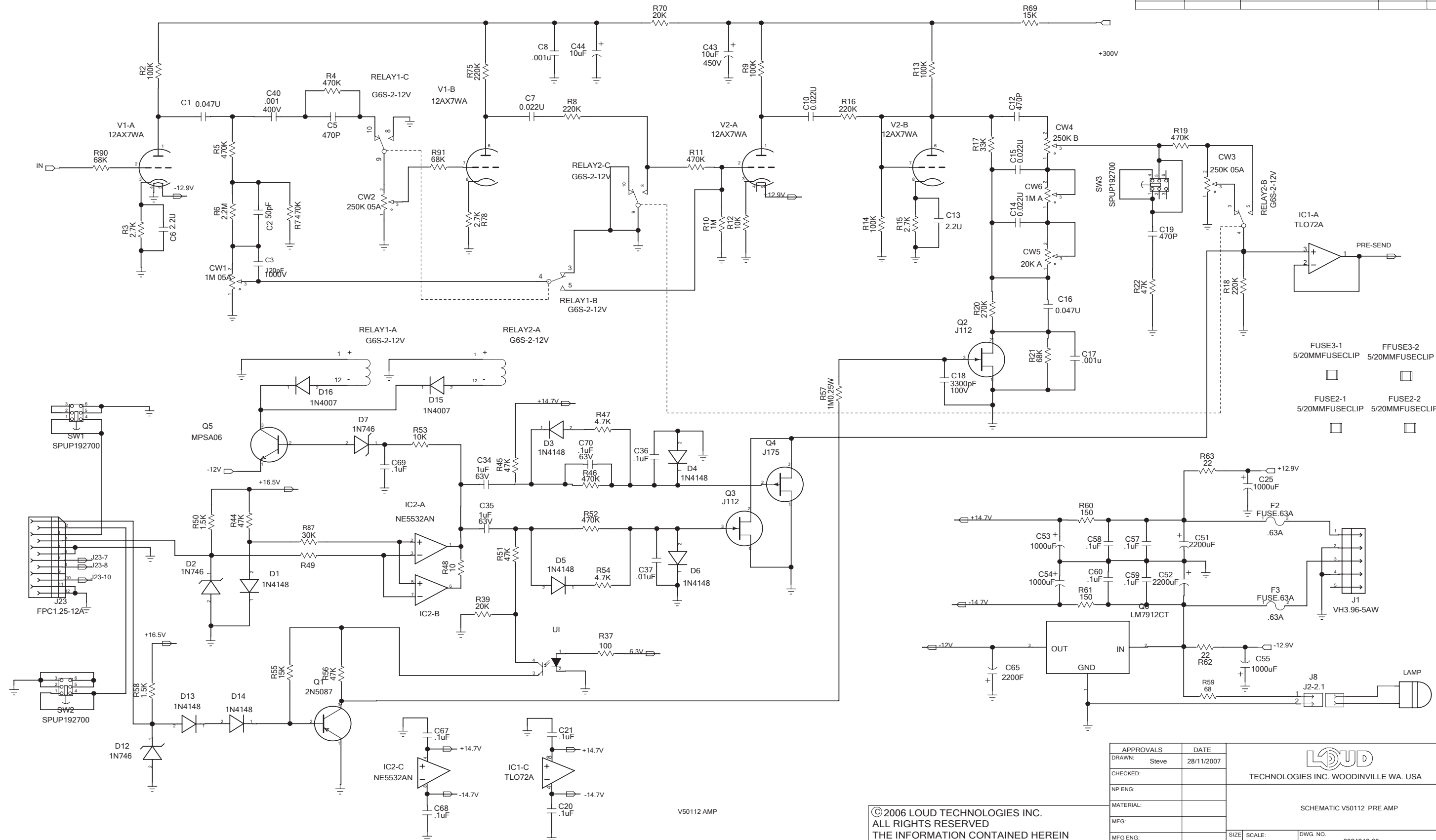


ECO#	REVISION	DESCRIPTION	REV. BY:	DATE
ECOHN0122	A00	Release to production	Steve Zhou	2007-11-28



TECHNOLOGIES INC. WOODINVILLE WA, USA

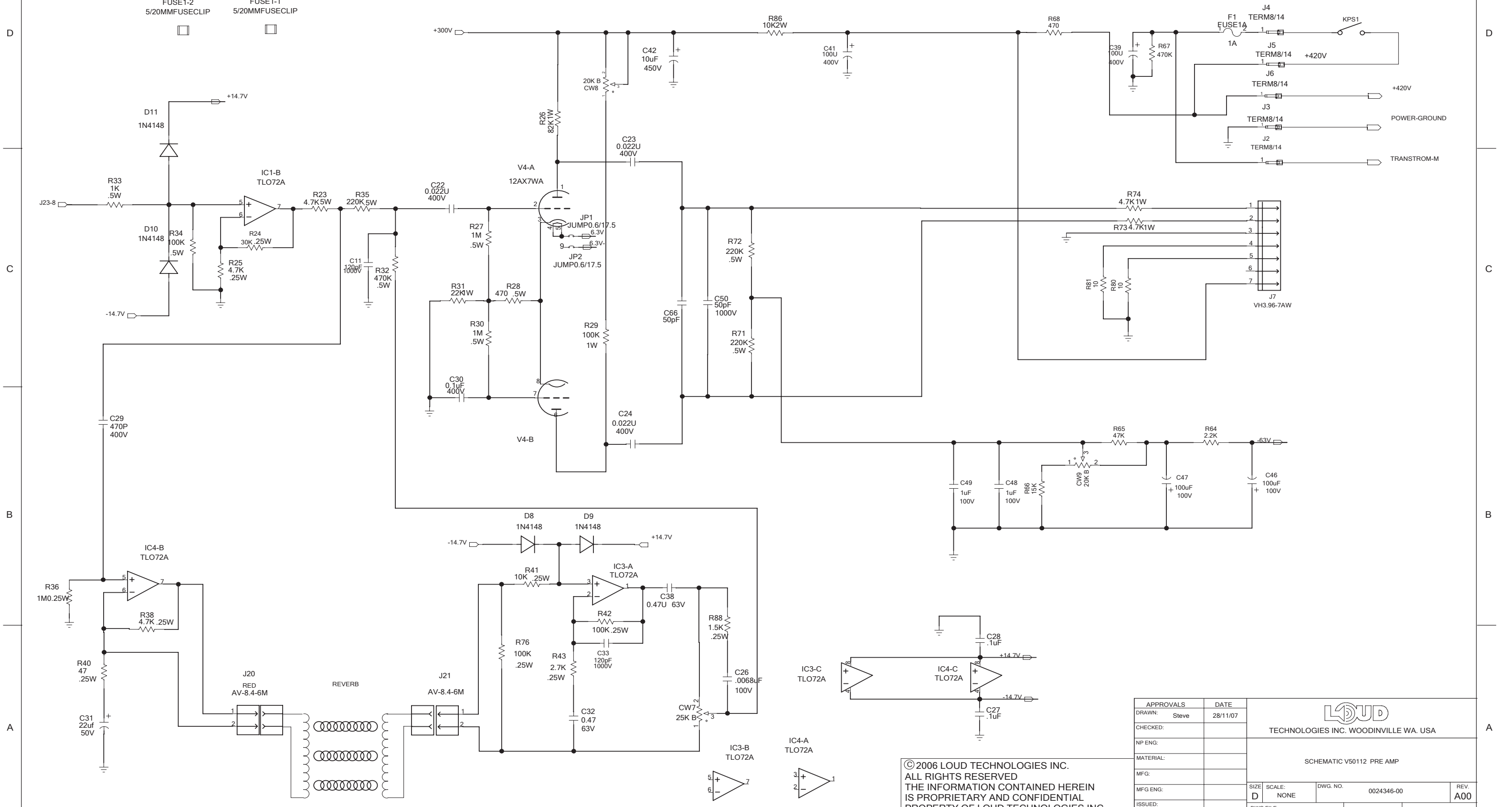
SCHMATIC V50112 PRE AMP

© 2006 LOUD TECHNOLOGIES INC.
 ALL RIGHTS RESERVED
 THE INFORMATION CONTAINED HEREIN
 IS PROPRIETARY AND CONFIDENTIAL
 PROPERTY OF LOUD TECHNOLOGIES INC.

APPROVALS		DATE
DRAWN:	Steve	28/11/2007
CHECKED:		
NP ENG:		
MATERIAL:		
MFG:		
MFG ENG:		
ISSUED:		

SIZE: D	SCALE: NONE	DWG. NO. 0024346-00	REV. A00
DWG FILE:		SHEET 1 OF 2	

ECO#	REVISION	DESCRIPTION	REV. BY:	DATE
ECOCHN0122	A00	Release to production	Steve. Zhou	2007-11-28



© 2006 LOUD TECHNOLOGIES INC.
 ALL RIGHTS RESERVED
 THE INFORMATION CONTAINED HEREIN
 IS PROPRIETARY AND CONFIDENTIAL
 PROPERTY OF LOUD TECHNOLOGIES INC.

APPROVALS	DATE									
DRAWN: Steve	28/11/07									
CHECKED:										
NP ENG:										
MATERIAL:										
MFG:		SCHEMATIC V50112 PRE AMP								
MFG ENG:										
ISSUED:		<table border="1"> <tr> <td>SIZE: D</td> <td>SCALE: NONE</td> <td>DWG. NO. 0024346-00</td> <td>REV. A00</td> </tr> <tr> <td colspan="2">DWG FILE:</td> <td colspan="2">SHEET 2 OF 2</td> </tr> </table>	SIZE: D	SCALE: NONE	DWG. NO. 0024346-00	REV. A00	DWG FILE:		SHEET 2 OF 2	
SIZE: D	SCALE: NONE	DWG. NO. 0024346-00	REV. A00							
DWG FILE:		SHEET 2 OF 2								