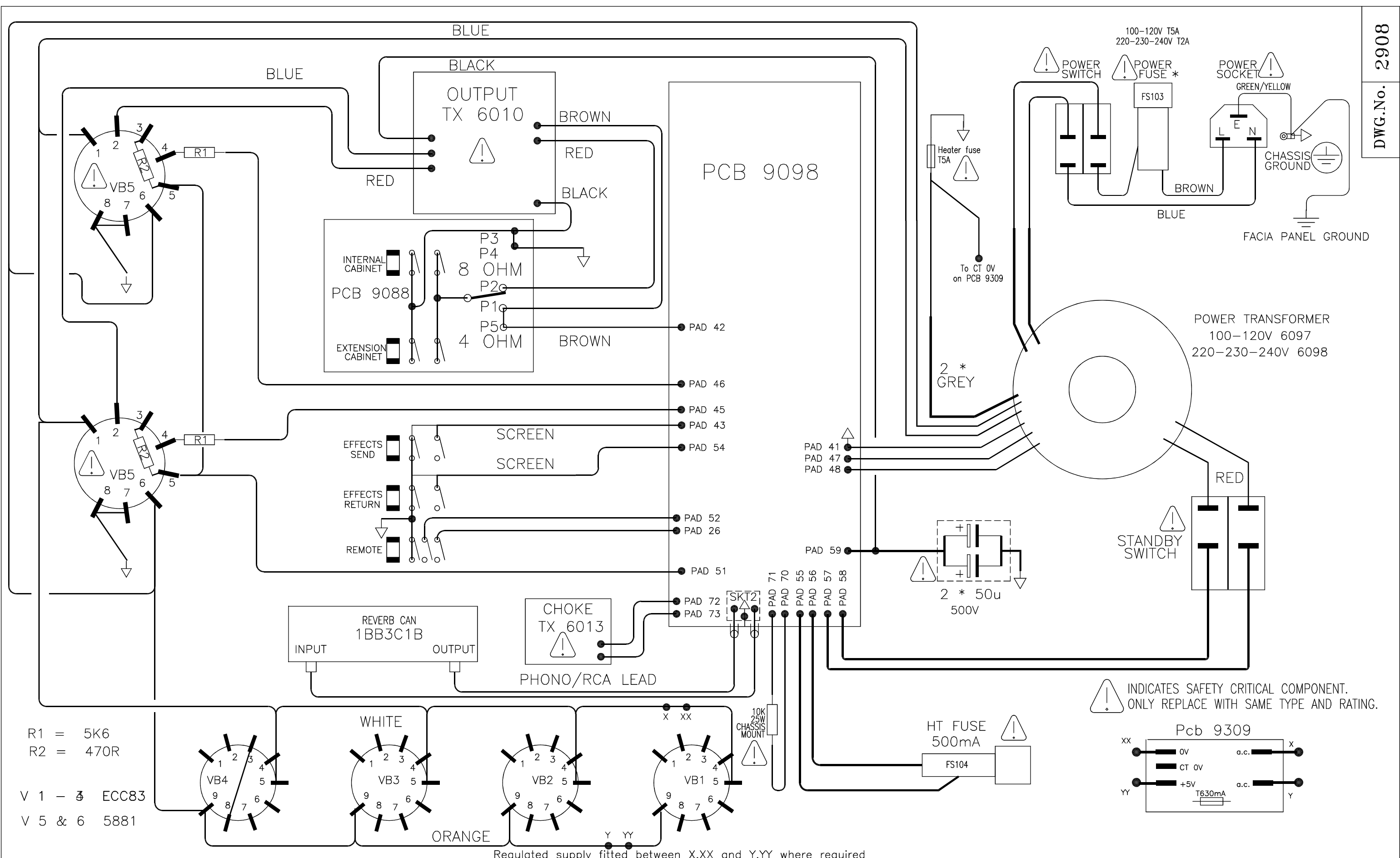


# Laney

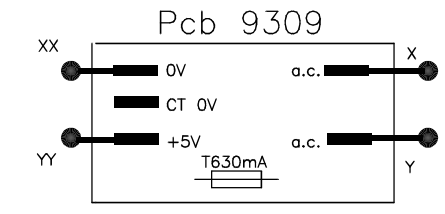
**Service Diagrams**



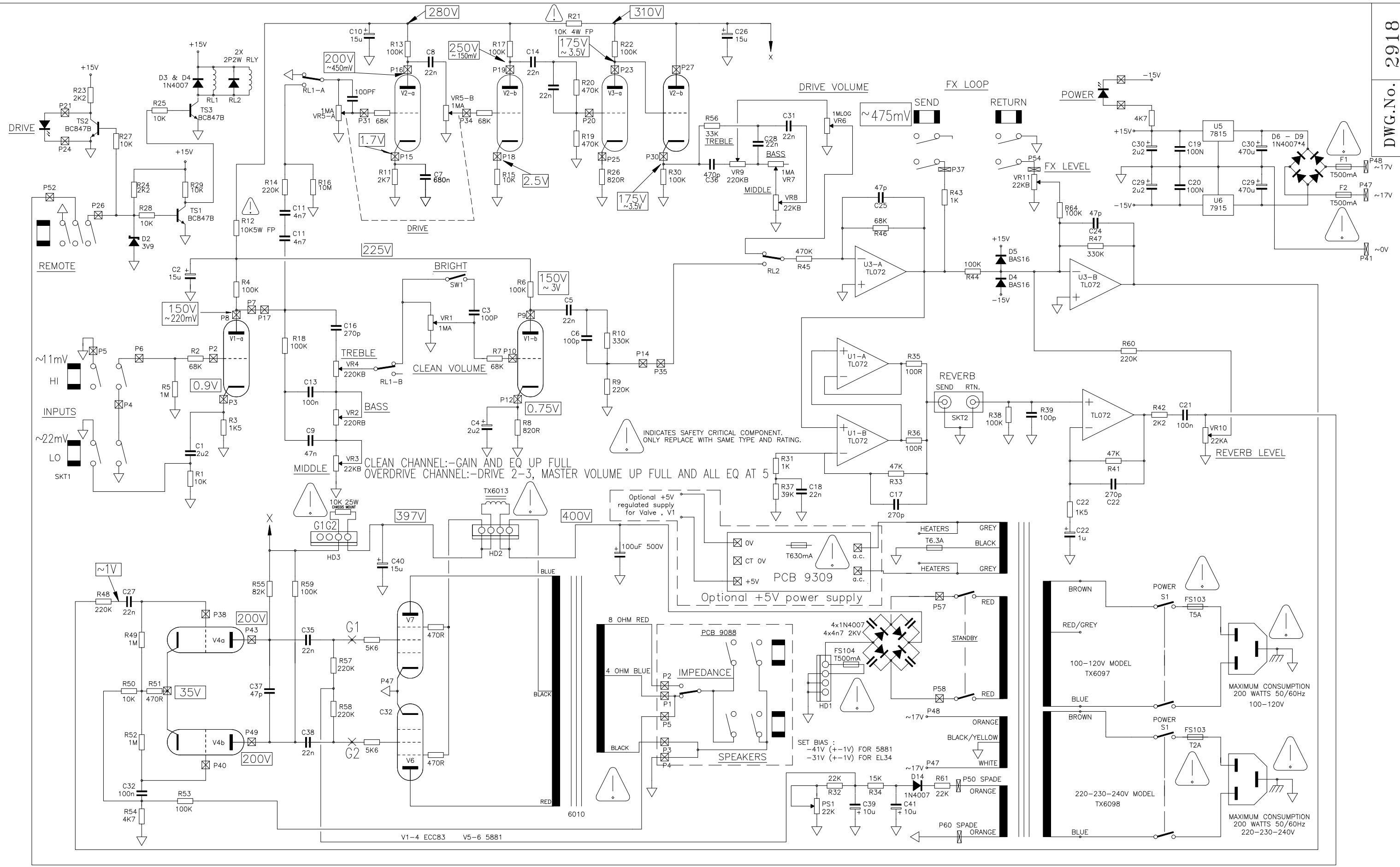
R1 = 5K6  
R2 = 470R

V 1 -  $\phi$  ECC83  
V 5 & 6 5881

INDICATES SAFETY CRITICAL COMPONENT.  
ONLY REPLACE WITH SAME TYPE AND RATING.



ISSUE	DESCRIPTION	APPD.	DATE	TITLE	DRAWN	TRACED	CHECKED	APPROVED	DATE
				<p align="center"><b>BLT</b> Industries Ltd.</p> <p align="center">LC50/LH50R - SII SCHEMATIC DIAGRAM</p> <p align="center">PART No</p>	S.L.				15/01/99
					DRAWING No.	2908			

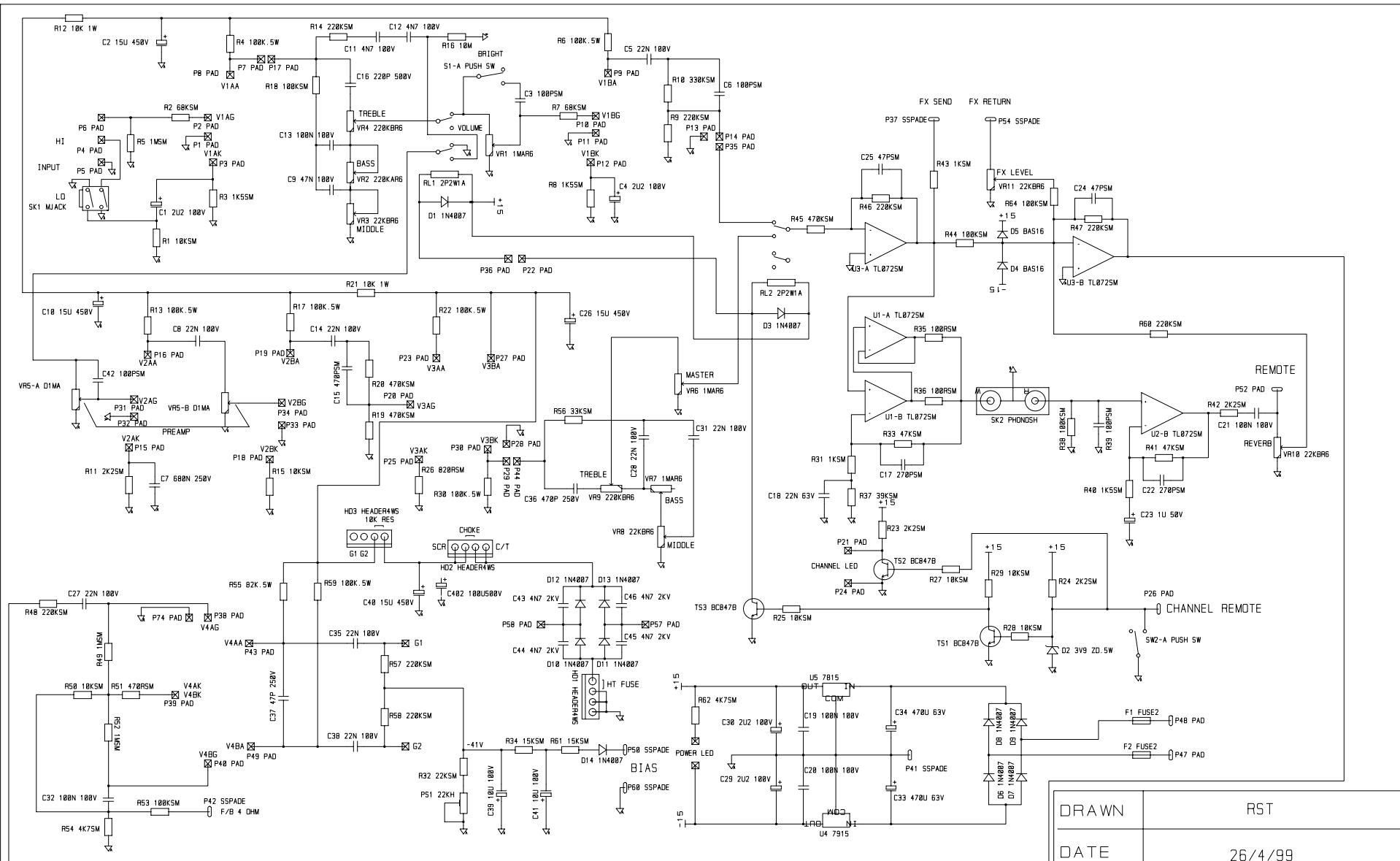


ISSUE	DESCRIPTION	APPD.	DATE
3	PHYSICAL CHANGES TO TIDY BOARD/MAKE BUILD EASIER	RST	28/4/99

**BLT**  
Industries Ltd.

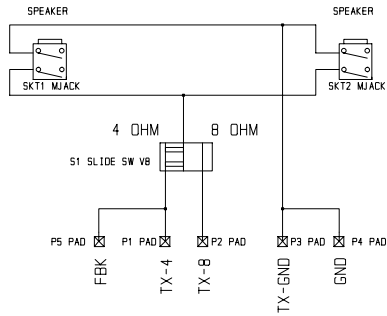
TITLE  
**LC50 SERIES 2**  
**CIRCUIT DIAGRAM**  
PART No

DRAWN	TRACED	CHECKED	APPROVED	DATE
R.S.T				28/4/99
DRAWING No.		2918		



DRAWN	RST
DATE	26/4/99
TITLE	LC50/LH50 SII MAIN BOARD
DRW. NO.	9098_3

ISSUE	ISSUE 2	ISSUE 3			
TYPE	C42-C46 ADDED R62 ADDED MINOR LAYOUT CHANGES 26/3/99. CHANGE NOTE 241	MINOR LAYOUT CHANGES 26/4/99 CHANGE NOTE 246			



DRAWN	DEH
DATE	14/03/95
TITLE	VC50 SPEAKER JACK PCB
DRW. NO.	9088

ISSUE							
TYPE							