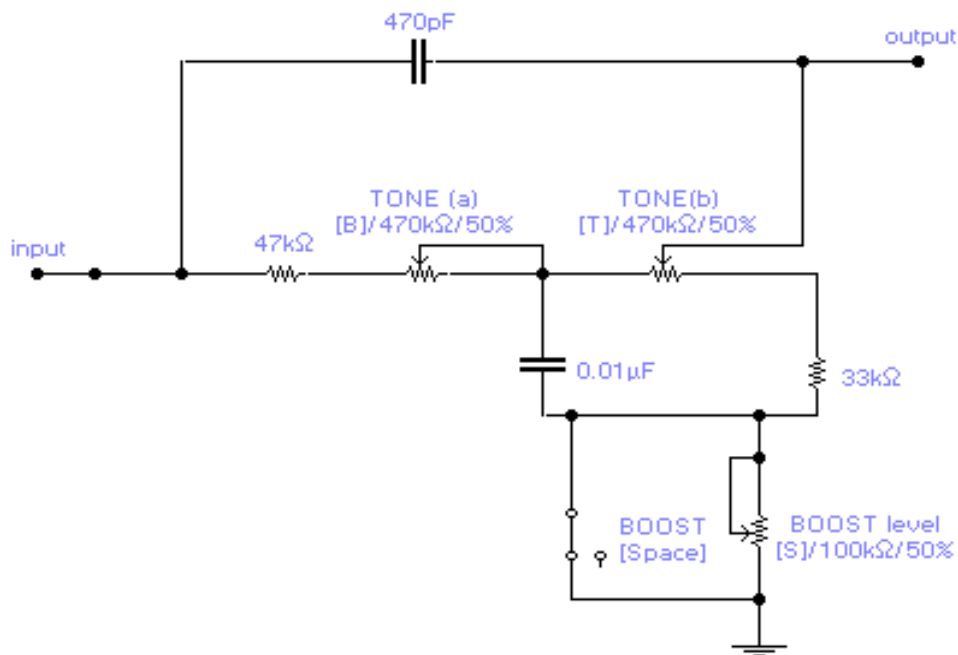


Single tone control with level boost v.2



THE TONE CONTROL POT IS A DUAL POT SET UP SO AS TO BOOST MIDS WHEN TREBLE IS CUT.

WITH THE POT SET AT 50% GIVES A RESPONSE SIMILAR TO A FENDER TONE STACK WITH A MID DIP OF AROUND -27Db at 270 -280 Hz WITH BASS AT AROUND -10Db AND TREBLE AT AROUND -1 Db.

THIS FIGURES ARE FROM SIMULATION ON ELECTRONICS WORKBENCH VERSION 4