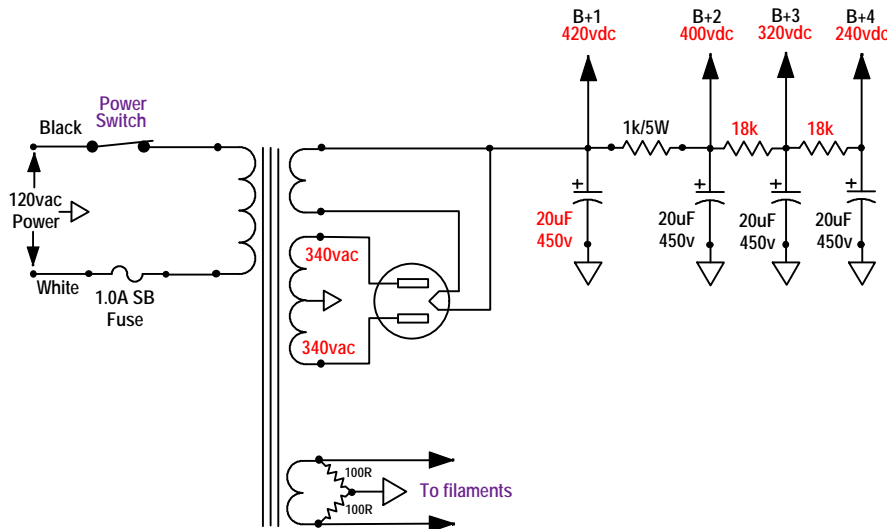
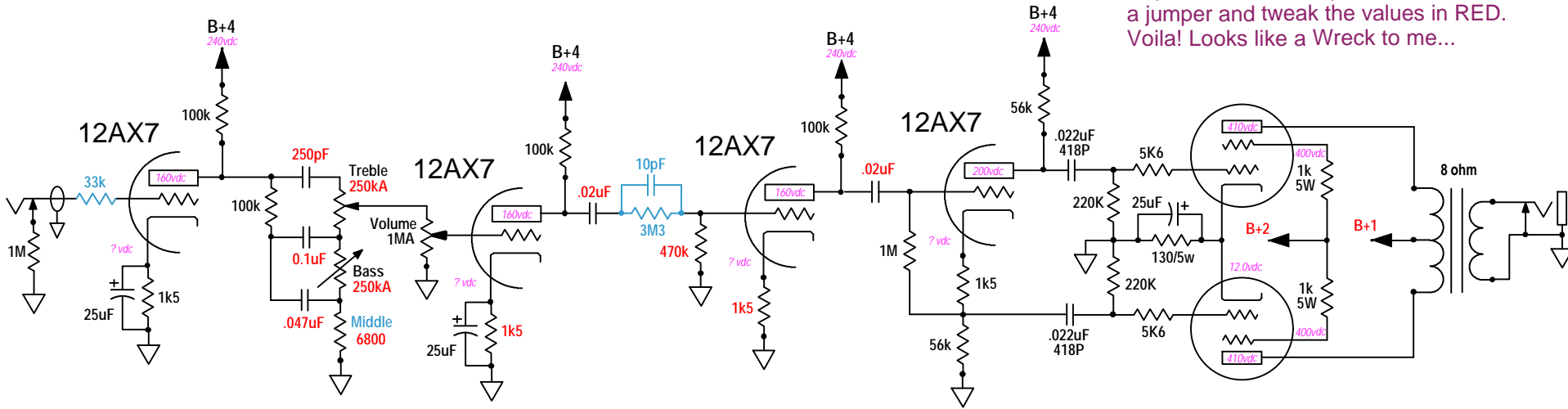


Trainwreck Express "PR" Version A5i

This drawing shows the similarity between the Princeton Reverb and the Trainwreck preamp.

Replace the reverb splitter in BLUE with a jumper and tweak the values in RED. Voila! Looks like a Wreck to me...

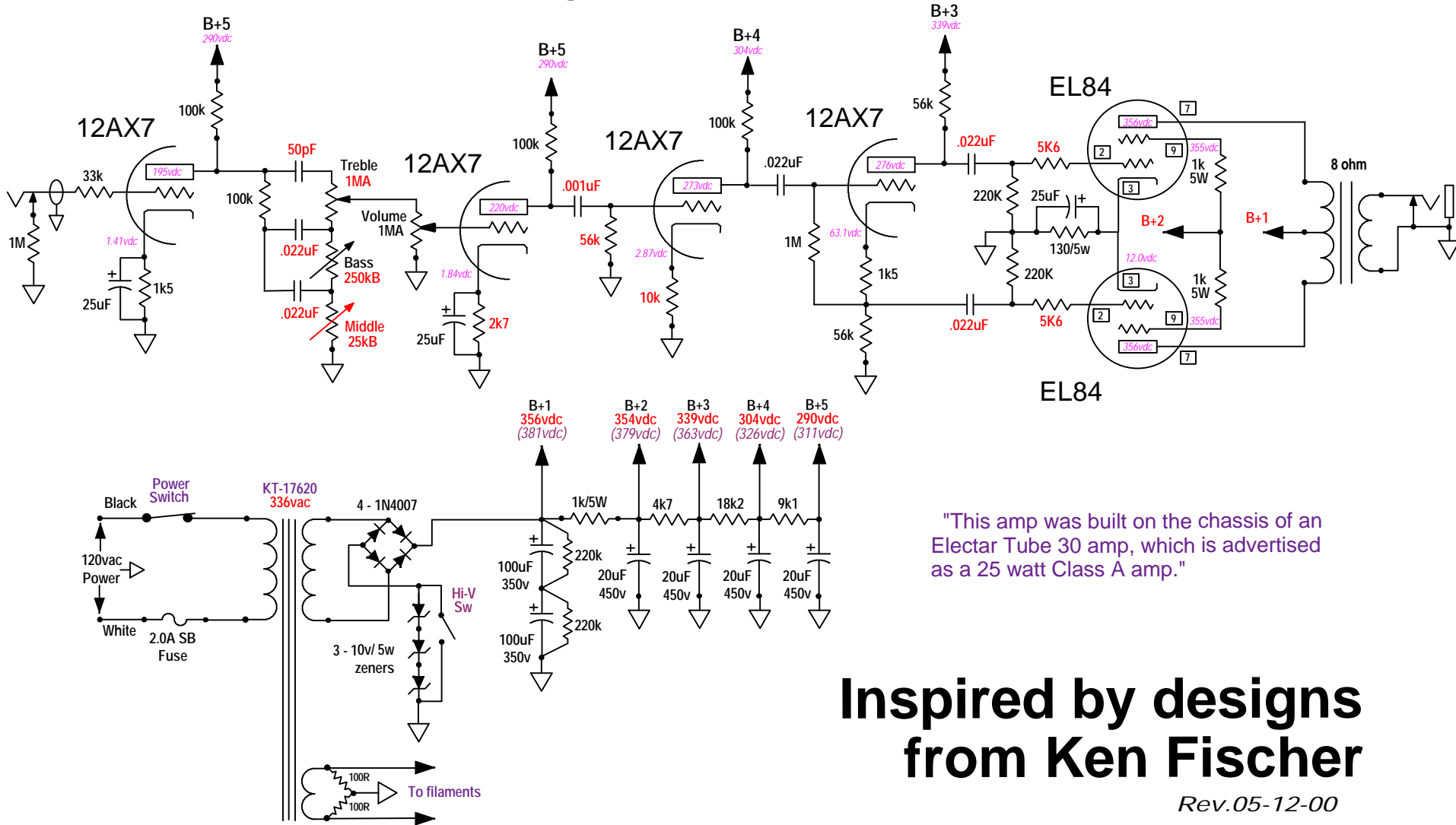


Do not try this at home, kids! This is not a schematic of a working amp but was created to illustrate the similarities. The output section is from the cathode biased Blues Express amp; The voltages shown are high for EL84's.

Inspired by designs from Leo Fender?

Trainwreck Express "PR+x" Version A5j

This drawing of an early version of the Blues Express has been color-coded to show similarities to Princeton Reverb.



"This amp was built on the chassis of an Electar Tube 30 amp, which is advertised as a 25 watt Class A amp."

**Inspired by designs
from Ken Fischer**

Rev.05-12-00