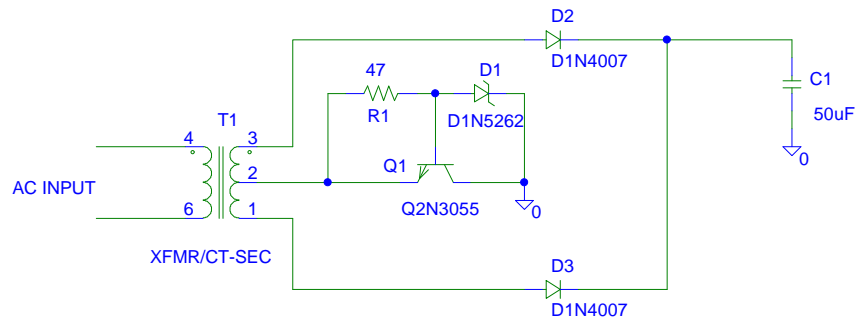


Lowering DC plate voltage using power transistor as zener substitute:



DC output voltage will be lowered by an amount equal to the zener voltage of D1 (51V with 1N5262 as shown)

Q1's case may be connected directly to chassis for heatsinking. No insulation required.