

BILL OF MATERIAL REPORT

REPORT DATE/TIME: 9/22/2005 8:51:21 AM

BOARD NAME: Valve King 112 ASSEMBLY LEVEL NUMBER: 99061280

PROJECT NUMBER: P0400019 DESIGNER: EC

Qty.	Part #	Description	Reference Designators
--			
1	30240064	3.9M 1/4W 5% CF AXL	R173
2	30320573	100UF 550V 20% EL SNPH	C202 C204
1	30340000	1000PF 50V 10% NPO AXL	C149
2	33716927	.250 PC MNT R/A SPADE	P6 P7
1	70210000	1K 1W 5% MO AXL	R206
1	70210004	47K 1W 5% MO AXL	R203
1	70240003	10 1/4W 5% CF AXL	R170
1	70240008	47 1/4W 5% CF AXL	R142
1	70240010	100 1/4W 5% CF AXL	R171
2	70240015	470 1/4W 5% CF AXL	R134 R162
4	70240017	1K 1/4W 5% CF AXL	R128 R137 R166 R174
7	70240018	1500 1/4W 5% CF AXL	R116 R118 R120 R147 R159 R160 R161
1	70240020	2200 1/4W 5% CF AXL	R123
1	70240026	56K 1/4W 5% CF AXL	R4
1	70240027	15K 1/4W 5% CF AXL	R165
4	70240029	22K 1/4W 5% CF AXL	R110 R129 R168 R169
2	70240030	33K 1/4W 5% CF AXL	R164 R205
3	70240031	47K 1/4W 5% CF AXL	R119 R124 R143
1	70240032	68K 1/4W 5% CF AXL	R133
1	70240033	82K 1/4W 5% CF AXL	R3

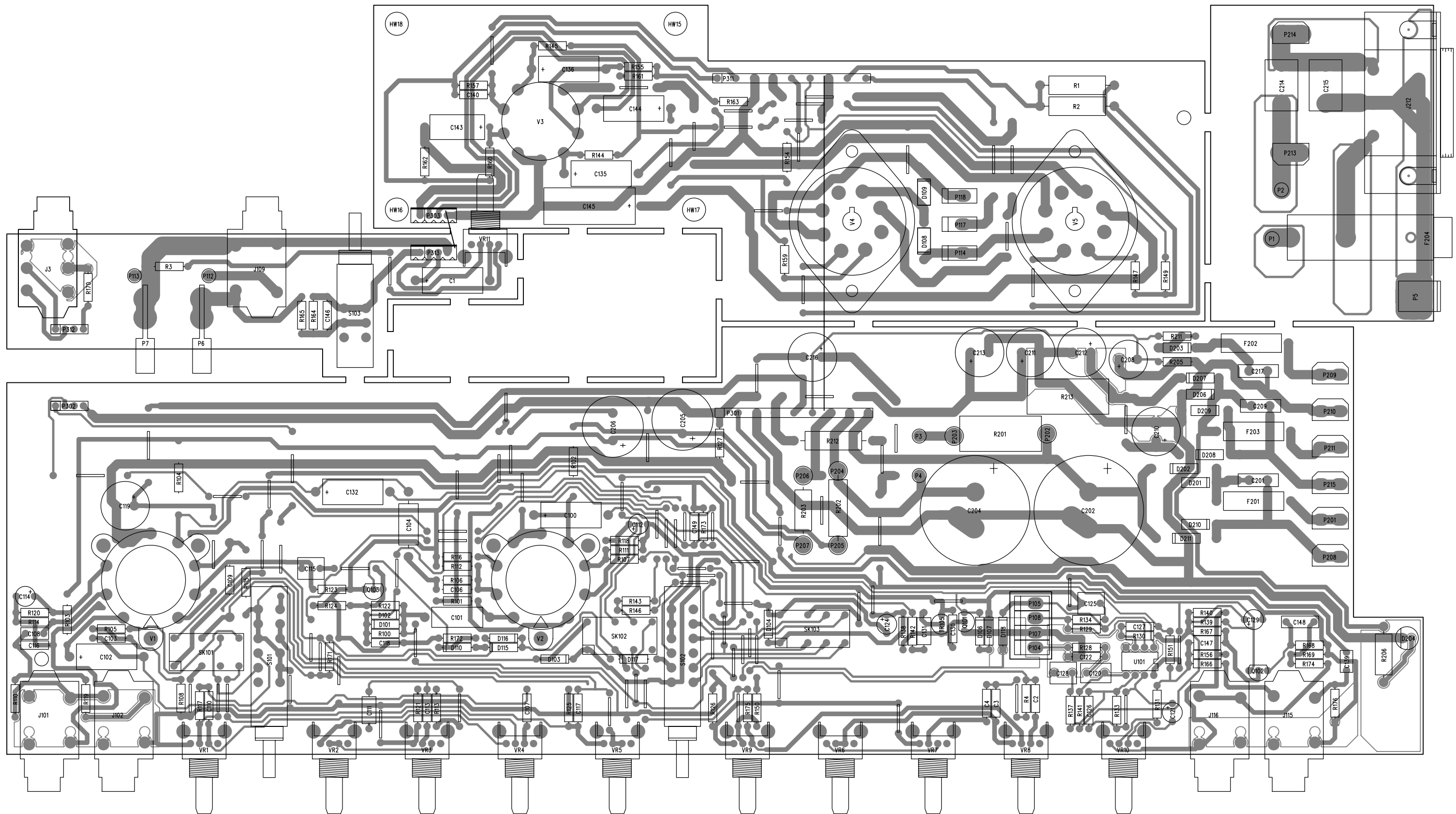
6	70240034	100K	1/4W	5%	CF	AXL	R113 R139 R140 R141 R144 R163
1	70240035	150K	1/4W	5%	CF	AXL	R150
7	70240036	220K	1/4W	5%	CF	AXL	R105 R108 R121 R122 R145 R149 R154
4	70240037	330K	1/4W	5%	CF	AXL	R131 R146 R151 R156
3	70240038	470K	1/4W	5%	CF	AXL	R106 R112 R114
7	70240039	1M	1/4W	5%	CF	AXL	R100 R111 R115 R130 R155 R157 R167
4	70240040	2.2M	1/4W	5%	CF	AXL	R117 R125 R138 R172
2	70240064	3.9M	1/4W	5%	CF	AXL	R175 R176
1	70240065	680K	1/4W	5%	CF	AXL	R107
2	70240090	47	1/4W	5%	FP	AXL	R126 R127
1	70240151	100K	1/4W	1%	MF	AXL	R102
1	70241022	7.32K	1/4W	1%	MF	AXL	R211
3	70241035	150K	1/4W	1%	MF	AXL	R101 R103 R104
1	70250020	390	5W	5%	FP	AXLH	R201
2	70250074	330	RSS2W	5%	MO	AXL	R1 R2
1	70250080	100	2W	5%	MO	AXL	R212
1	70250086	10K	2W	5%	MO	AXL	R202
1	70320012	22UF	25V	20%	EL	AXL	C143
1	70320102	220UF	25V	50-20%	EL	AXLH	C145
3	70320105	0.047UF	400V	10%	PES	AXL	C102 C132 C135
2	70320180	2.2UF	50V	20%	EL	RAD	C121 C129
3	70320181	22UF	50V	20%	EL	RAD	C112 C114 C124
6	70320186	1000UF	35V	20%	EL	RAD	C119 C210 C211 C212 C213 C216
3	70320248	0.01UF	1000V	80-20%	Z5U	RAD	C201 C209 C217
1	70320264	100UF	63V	20%	EL	RAD	C208

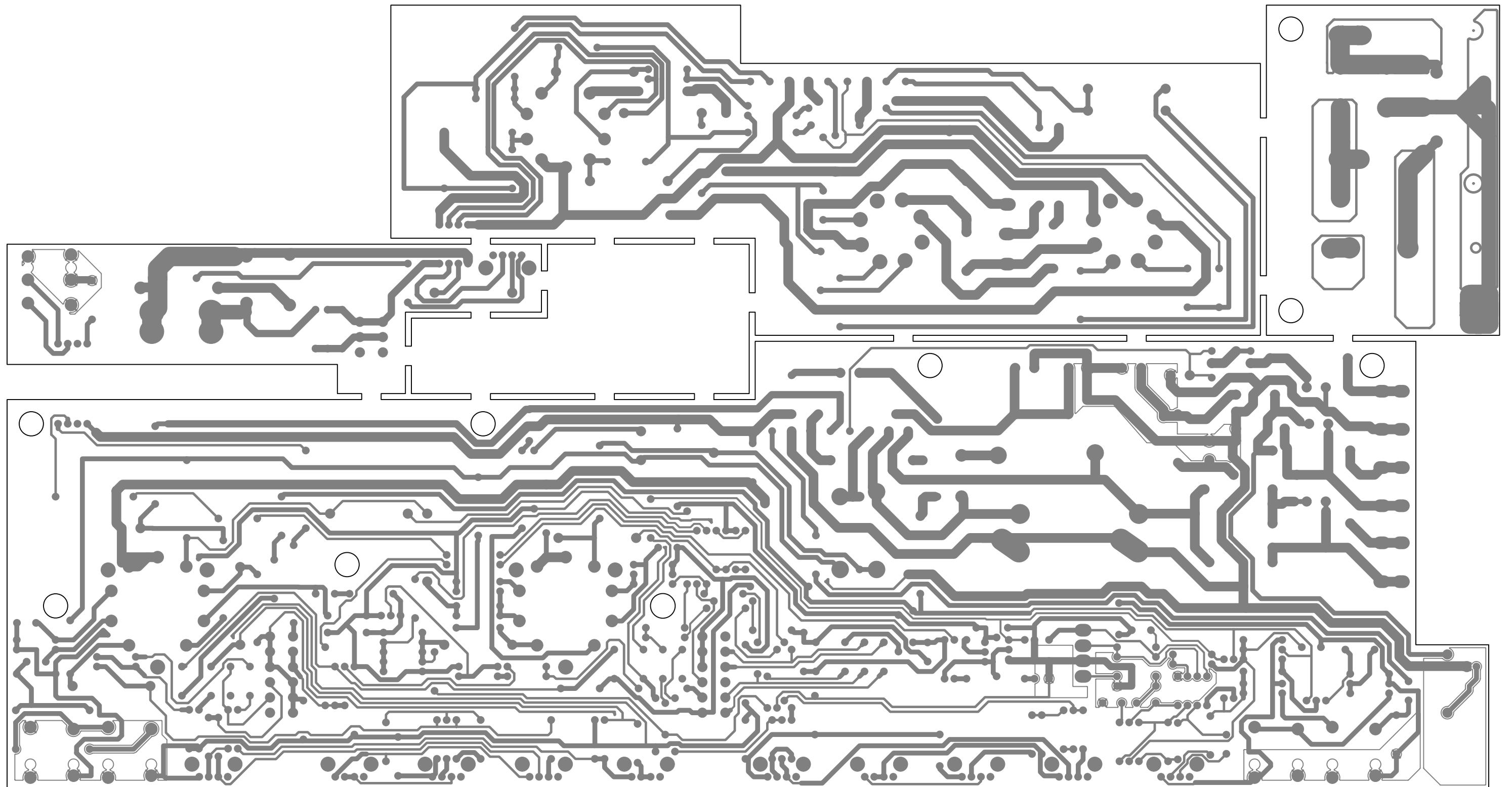
1	70320281	1000PF	630V	10%	PE	AXL	C104	
1	70320283	0.022UF	400V	10%	PE	AXL	C101	
4	70320334	0.1UF	250V	10%	PE	AXL	C1 C100 C136 C144	
2	70320339	22UF	450V	20%	EL	RADH	C205 C206	
2	70320556	0.1UF	275V	10%	"X"	RADH	C214 C215	
1	70330096	0.22UF	100V	5%	PES	RADH	C148	
1	70330113	0.1UF	100V	10%	PPS	RAD	C108	
1	70330129	0.1UF	50V	5%	PE	RAD	C120	
1	70330130	3300PF	50V	5%	PE	RAD	C139	
1	70330158	1UF	63V	5%	PES	RAD	C125	
2	70330159	0.47UF	63V	5%	PES	RAD	C115 C128	
1	70340000	1000PF	50V	10%	NPO	AXL	C118	
1	70340004	2200PF	50V	10%	X7R	AXL	C103	
1	70340011	0.01UF	50V	10%	X7R	AXL	C122	
3	70340012	0.022UF	50V	10%	X7R	AXL	C3 C4 C130	
2	70340014	0.033UF	50V	10%	X7R	AXL	C113 C146	
1	70340017	0.047UF	50V	10%	X7R	AXL	C109	
1	70340052	39PF	50V	5%	NPO	AXL	C116	
2	70340054	100PF	50V	10%	NPO	AXL	C126 C140	
3	70340057	270PF	50V	10%	NPO	AXL	C2 C107 C110	
3	70340058	470PF	50V	10%	NPO	AXL	C106 C117 C127	
3	70340101	0.1UF	50V	10%	X7R	AXL	C111 C131 C147	
2	70400757	1N757A	9.1V	5%	ZENER		D106 D107	
2	70402873	SR2873	2KV,	250MA	DIODE		D108 D109	
1	70414560	4560	DUAL	OPAMP	DIP8		U101	
1	70450068	RED T1	3/4	LED	S-BRT	BULK	D204	
1	70460097	MAC97-6	TRIAC	TO-92	T&A		TR105	
2	70460174	J174	JFET	P	30V	TO92	RAD	Q101 Q103

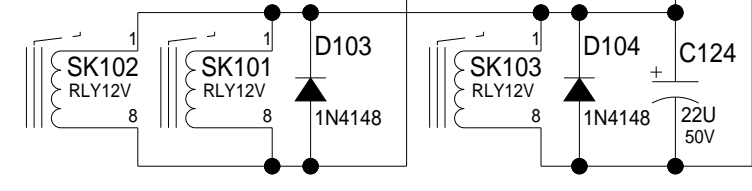
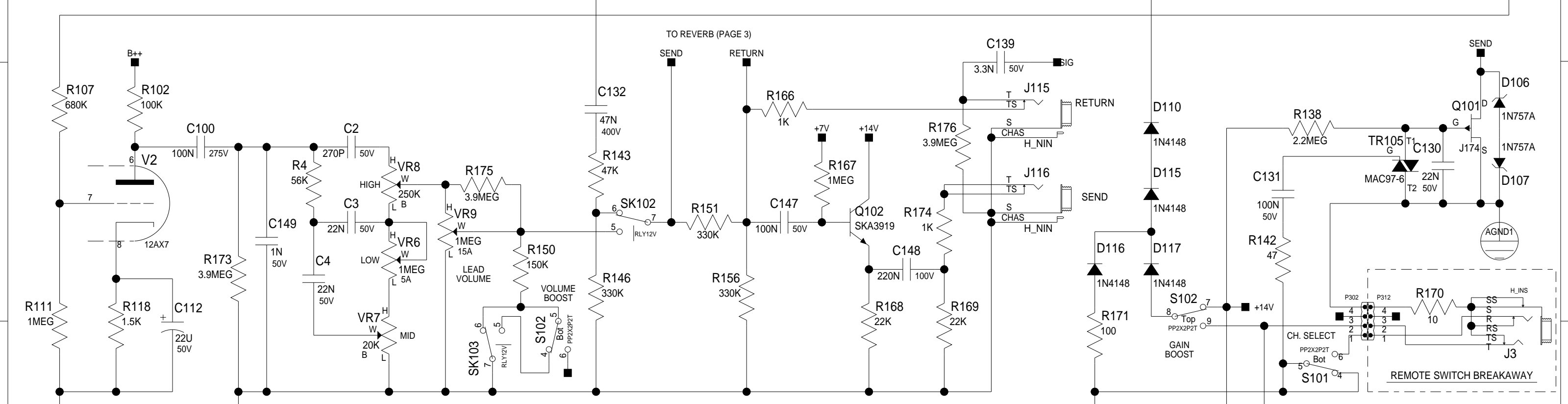
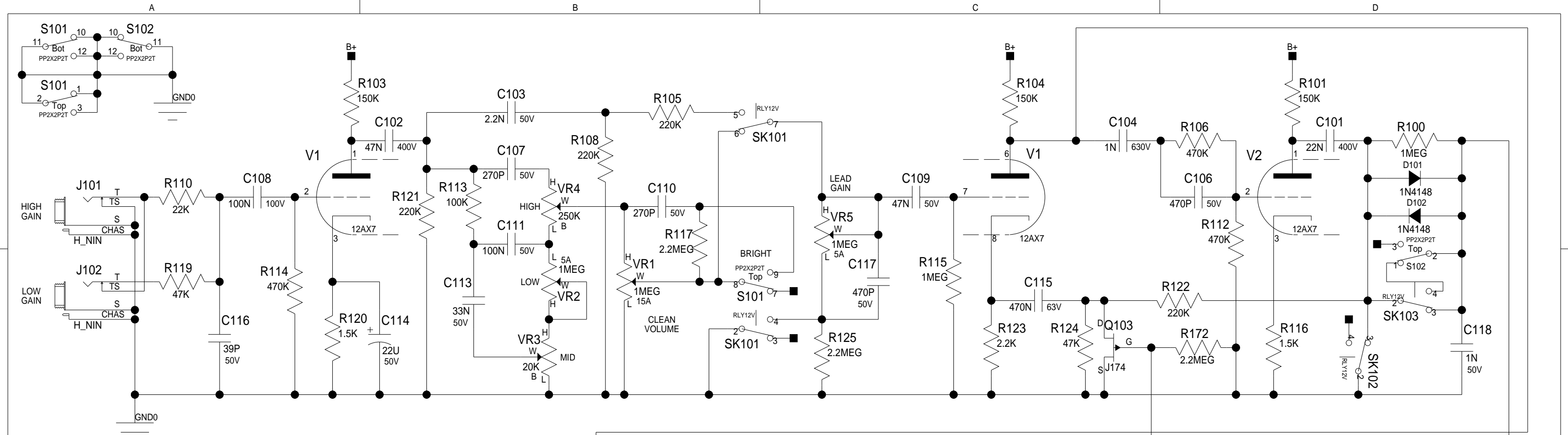
1	70463919	SKA3919 NPN TO92 RAD	Q102
5	70464003	1N4003 200V 1A SI DIODE	D203 D206 D207 D208 D209
4	70464007	1N4007 1KV, 1A, SI DIODE	D201 D202 D210 D211
9	70464148	1N4148 75V 10MA DIODE	D101 D102 D103 D104 D110 D115 D116 D117 D118
2	70600055	4C .100 STRP STRP 8" JMP	P302 P312
2	70600518	9C .200 STRP STRP 6" JMP	P301 P311
2	70600521	4C 2.5MM WPCB WPCB 4"	P303 P313
2	70806614	TUBE SKT 9PIN SNAP-IN	V1 V2
1	70806619	TUBE SKT 9PIN PHENOLIC	V3
2	70806627	TUBE SKT OCTAL 6L6GC	V4 V5
1	70901182	FUSE, 3A 250V 2AG T&R	F203
1	70901244	1A FUSE 5X15MM PIG TAIL T&R	F202
1	70901428	PWR INLET, RA SCREW MT PC RA GND	J212
1	70901429	EXT. FUSEHOLDER, PC MT	F204
1	70901446	FUSE, 1.5A--2AG--S/B--T&R	F201
1	70901785	SCREW TERM, 6-32 -PCB MT	P5
4	70901859	STND .500 T4-40,SW,AL,ST	HW15 HW16 HW17 HW18
9	70901890	STND .375 T4-40SW,AL,ST	HW1 HW2 HW3 HW4 HW5 HW6 HW7 HW8 HW9
1	71190900	10KB SNGL 12MM HOR	VR10
2	71190903	20KB SNGL 12MM HOR	VR3 VR7
2	71190908	250KB SNGL 12MM HOR	VR4 VR8
3	71190910	1M5A SNGL 12MM HOR	VR2 VR5 VR6
2	71190911	1M15A SNGL 12MM HOR	VR1 VR9
1	71191012	1MB SNGL 12MM HOR	VR11
2	71322256	SWITCH 2XDPDT PP 3.3 PC H	S101 S102

2	71322277	RELAY 12V DPDT .5A	SK102 SK103
1	71322289	SWITCH DPDT PP 3.3MM PC H	S103
1	71322378	RELAY 12V DPDT LOW MIC	SK101
1	71466223	JACK, STEREO R/A 1/4" 6.5MM	J3
5	71466322	JACK, MONO R/A 1/4" 6.5MM NINS	J101 J102 J109 J115 J116
1	71600264	1 5W 5% WW AXLH SL	R213
6	73711812	PIN-M .093 MOLEX PC-MNT	P202 P203 P204 P205 P206 P207
6	73713813	WR-TO-BD CRIMP TERM 18GA	P1 P2 P3 P4 P112 P113
8	73716194	SPADE .250 PC MNT .093	P201 P208 P209 P210 P211 P213 P214 P215
7	73717003	1 STAKE PIN .045 .625 TIN	P104 P105 P107 P108 P114 P117 P118
86	JUMPER	????????????????????????????????	JMP1 JMP2 JMP3 JMP4 JMP5 JMP6 JMP7 JMP8 JMP9 JMP10 JMP11 JMP12 JMP13 JMP14 JMP15 JMP16 JMP17 JMP18 JMP19 JMP20 JMP21 JMP22 JMP23 JMP24 JMP25 JMP26 JMP27 JMP28 JMP29 JMP30 JMP31 JMP32 JMP33 JMP34 JMP35 JMP36 JMP37 JMP38 JMP39 JMP40 JMP41 JMP42 JMP43 JMP44 JMP45 JMP46 JMP47 JMP48 JMP49 JMP50 JMP51 JMP52 JMP53 JMP54 JMP55 JMP56 JMP57 JMP58 JMP59 JMP60 JMP61 JMP62 JMP63 JMP65 JMP69 JMP71 JMP72 JMP73 JMP75 JMP76 JMP77 JMP78 JMP79 JMP80 JMP81 JMP82 JMP89 JMP94 JMP99
	JMP100		JMP101 JMP104 JMP105
	JMP106		JMP107 JMP108

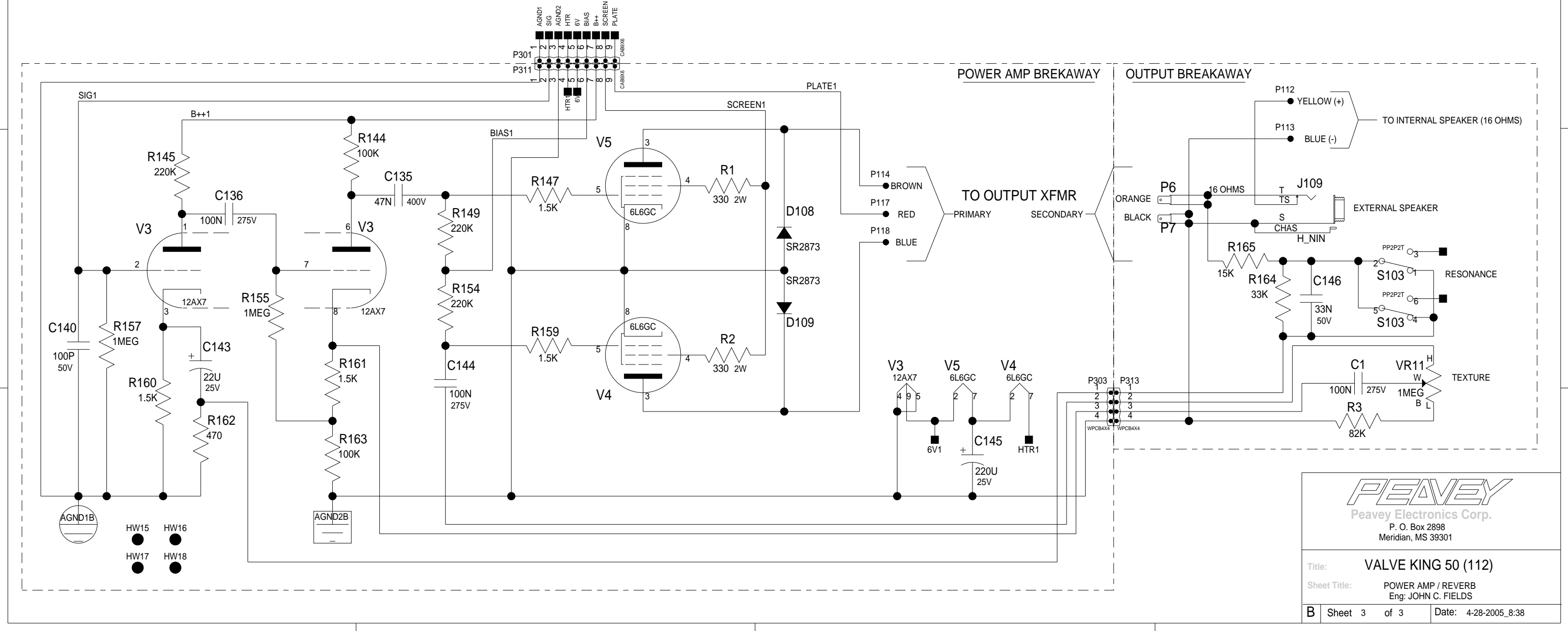
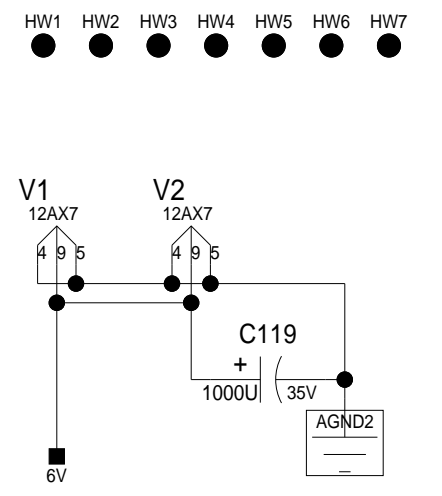
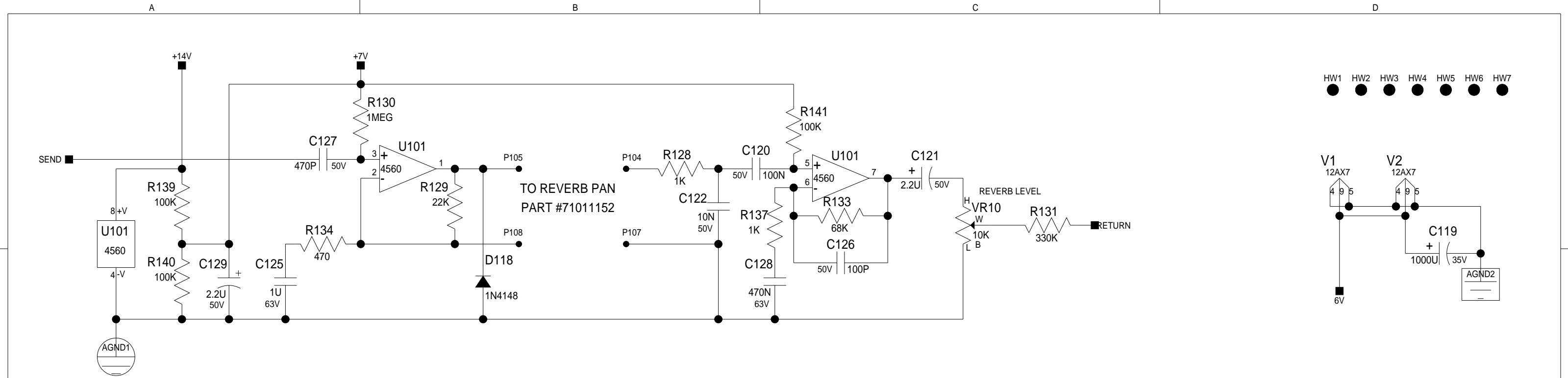
 END OF BILL OF MATERIAL REPORT







Title: VALVE KING 50 (112)	
Sheet Title: PREAMP Eng: JOHN C. FIELDS	
B Sheet 2 of 3	Date: 9-10-2005_11:16



PEAVEY
 Peavey Electronics Corp.
 P. O. Box 2898
 Meridian, MS 39301

Title: VALVE KING 50 (112)
 Sheet Title: POWER AMP / REVERB
 Eng: JOHN C. FIELDS
 B Sheet 3 of 3 Date: 4-28-2005_8:38